

B Series Modular integrated I/O

User Manual

V1.01

2021.04.10

B Series - Modular integrated I/O



Odot Automation System Co., Ltd.

2021-04

Copyright ©2021 Odot Automation all rights reserved

Version Information

Date	Version	Content	Author
2021-04-20	V1.00	Release version	GJ/CCL
2021-07-27	V1.01	Updated AI and AO module	CCL
2021-08-16	V1.02	Updated wiring diagram	CCL

Ownership rights information

Without the permission of the copyright owner, all or part of this document shall not be republished as a paper or electronic document.

Disclaimer

This document is only intended to assist the reader in using the products, and the company shall not be responsible for any loss or error caused by the use of the information in this document. The product and text described in this document are under constant development and refinement. Odot Automation System Co., Ltd. has the right to modify this document without notifying users.

Software download

Please log on the official website: www.odotautomation.com and click on the corresponding product page to download.

Content

Content	4
1 Product Overview	10
1.1 Module Feature	11
1.2 Module Structure	12
1.3 Module selection table	13
1.4 LED Indicator	16
1.5 LCD (Liquid Crystal Display)	16
1.6 Ground Protection	16
1.7 Wiring	17
1.8 DIN-Rail installation	18
1.9 Installation Size	19
2 Communication Board (COMM Board)	20
BN-8031: Modbus-TCP COMM Board	20
1 The COMM Board Overview	20
2 Technical Parameter	20
3 Hardware Interface	21
4 Terminal definition	22
5 Process data definition	23
6 Configuration Parameter Definition	24
7 System diagnostic area	26
8 LCD display interface	28
BN-8032: Profinet COMM Board	30
1 The COMM Board Overview	30
2 Technical Parameters	30
3 Hardware Interface	31
4 Terminal definition	33

5 Process data definition	33
6 Configuration Parameter Definition	34
7 LCD display interface	35
BN-8033: EtherCAT COMM Board	37
1 The COMM Board Overview	37
2 Technical Parameters	37
3 Hardware Interface.	37
4 Terminal definition.	39
5 Process data definition.	40
6 Configuration Parameter Definition	41
7 LCD display interface	42
BN-8034: Ethernet/IP COMM Board	44
1 The COMM Board Overview	44
2 Technical Parameter.	44
3 Hardware Interface.	45
4 Terminal definition.	47
5 Process data definition.	47
6 Configuration Parameter Definition	49
7 LCD display interface	50
3 Extended IO module	52
BT-124F: 16 channel digital input / 24VDC /Sink/Source dual direction, the input high&low level is valid	52
1 Module features	52
2 Technical parameters	53
3 Terminal definition.	54
4 Wiring	55
5 Process data definition.	56
6 Configuration parameter definitions	59

7 LCD display interface	61
BT-222F: 16 channel / digital output / 24VDC / source, the output high level is valid.	63
1 Module features	63
2 Technical parameters	63
3 Terminal definition.	64
4 Wiring	65
5 Process data definition.	66
6 Configuration parameter definitions	66
7 LCD display interface	68
BT-221F: 16 channel / digital output / 24VDC / sink, the output low level is valid.	70
1 Module features	70
2 Technical parameters	70
3 Terminal definition.	71
4 Wiring	72
5 Process data definition.	73
6 Configuration parameter definitions	73
7 LCD display interface	74
BT-3158: 8 channels / voltage input / 0-5VDC/ 0-10VDC/±5VDC/±10VDC, 12bits.	76
1 Module features	76
2 Technical Parameters	76
3 Terminal definition.	77
4 Wiring	78
5 Process data definition.	78
6 Configuration parameters definition	79
7 LCD display interface	81

BT-3238: 8 channels / current input /0&4-20mA, 15-bits, single ended .	82
1 Module features	82
2 Technical parameters	82
3 Terminal definition.	84
4 Wiring	84
5 Process data definition.	86
6 Configuration parameter definition	87
7 LCD display interface	88
BT-3244: 4 channels / current input / 0&4-20mA, ± 20 mA, 15 bits, Single-ended bipolar	90
1 Module features	90
2 Technical parameters	90
3 Terminal definition.	91
4 Wiring	91
5 Process data definition.	92
6 Configuration parameter definition	93
7 LCD display interface	95
BT-3714: 4 channels / RTD input / PT100 / 15bits / Temperature acquisition module.	97
1 Module features	97
2 Technical parameters	97
3 Terminal definition.	98
4 Wiring	98
5 Process data definition.	100
6 Configuration parameters definition	101
7 LCD display interface	102
BT-3724: 4 channels / RTD input / PT1000 / 15bits / Temperature acquisition module	104

1 Module features	104
2 Technical parameters	104
3 Terminal definition.	105
4 Wiring	105
5 Process data definition.	107
6 Configuration parameters definition	108
7 LCD display interface	109
BT-3804: 4 channels analog input / TC / 24bits / Thermocouple temperature	
acquisition module	111
1 Module features	111
2 Technical parameters	112
3 Terminal definition.	113
4 Wiring	113
5 Process data definition.	114
6 Configuration parameters definition	118
7 LCD display interface	119
BT-4154: 4 channels / Voltage Output	
0~5VDC/0~10VDC/±5VDC/±10VDC,15 bits /16 bits	121
1 Module features	121
2 Technical Parameters	121
3 Terminal definition.	122
4 Wiring	122
5 Process data definition.	123
6 Configuration parameters definition	125
7 LCD display interface	127
BT-4234: 4-channel analog output /0&4-20mA/15-bit/16-bit/ single ended	
.	129
1 Module features	129

2	Technical parameters	129
3	Terminal definition	130
4	Wiring	131
5	Progress data definition	132
6	Configuration parameter definition	134
7	LCD display interface	135
	BT-623F: 8 channels digital input /24VDC/ sink / source, 8 channels digital output/24VDC/ source, 24VDC	137
1	Module features	137
2	Technical parameters	139
3	Terminal definition	140
4	Wiring	140
5	Process data definition	141
6	Configuration parameter definition	143
7	LCD display interface	146
4	IO-Config configuration software	148
4.1	Software Interface	149
	Tool bar	150
4.2	Configured software using	151
4.2.1	Function brief introduction	151
4.2.2	COMM interface	152
4.2.3	Module selection	153
4.2.4	View and modify BN&BT configuration parameters	157

1 Product Overview

ODOT B series integrated I/O module consists of communication board (COMM board) module and extended IO module. The COMM board module is responsible for the fieldbus communication and realizes the communication connection with the master controller or the upper computer software.

The extended IO module is responsible for connecting the input and output sensors on the site. The input IO module collects various signals on the site and sends them to the COMM board through the internal bus. And the controller reads and processes data from the COMM board through the field bus, and then writes the output data to the COMM board. So the COMM board could write the output data to the output IO module through the internal bus, thus realizing the control of the device.

The COMM board could select the corresponding bus module according to the communication interface of the controller system. The mainstream industrial communication protocols include Modbus, Profibus-DP, Profinet, EtherCAT, EtherNet/IP, CANopen, CC-Link, PowerLink, etc. The extended I/O module is divided into six categories: digital input module, digital output module, analog input module, analog output module, special module, and hybrid I/O module.

The COMM board and extended IO module modules could be freely combined based on site requirements. The integrated IO module could lower the cost when there are few data points.

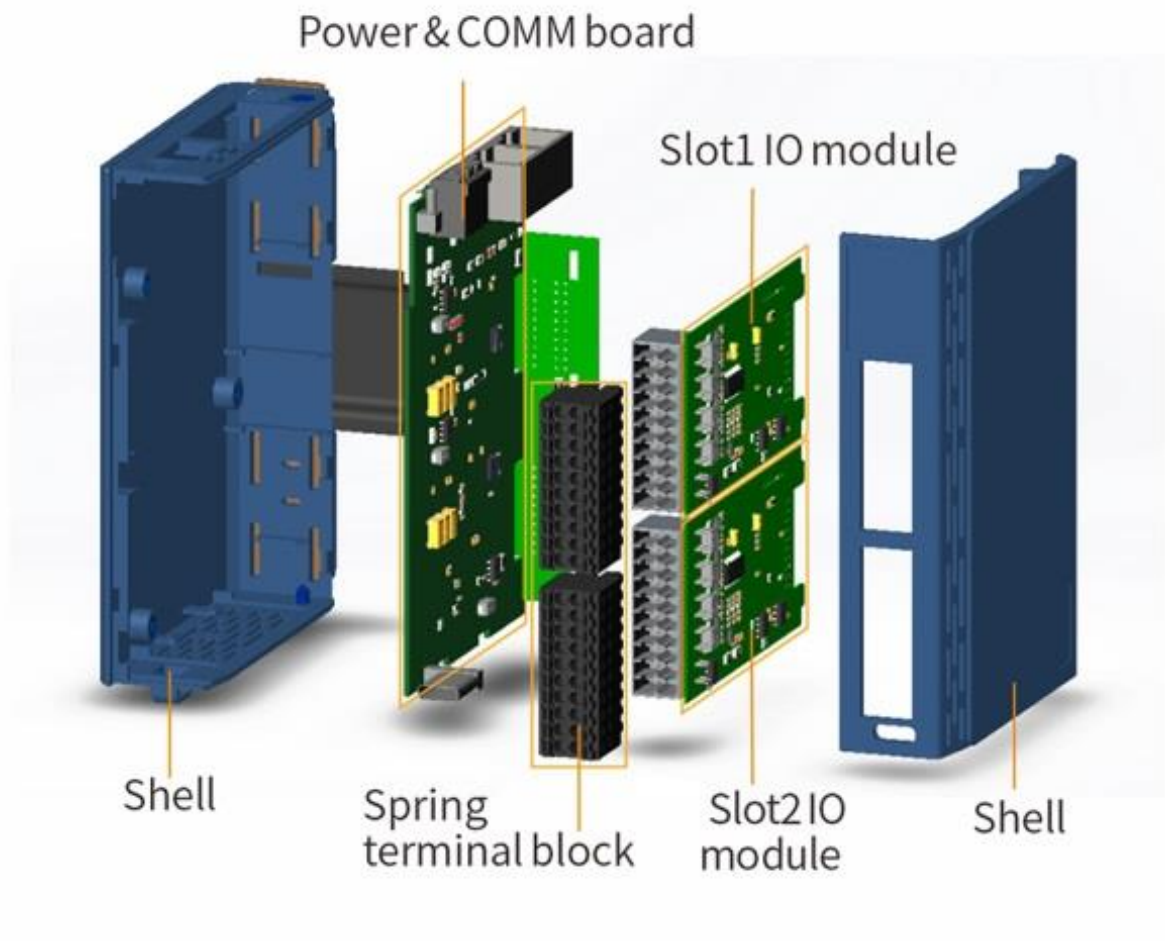
1.1 Module Feature



1. It could support a variety of communication protocols and IO point expansion of various PLC brands, such as Siemens, Omron, Delta, Mitsubishi, Rockwell, Beckhoff, Keyence, etc.
2. It carries optional modular IO. Each single module supports a max of 16 channels.
3. It could support max expansion of 4 modules, with a total of 64 channels.
4. It carries LCD Display and communication parameters, IO channel status, module version and other information could be viewed.
5. It is designed with plastic shell, compact size, easy to install.

1.2 Module Structure

ODOT B series is integrated I/O module with modular combinations inside. The power supply and COMM board are at the bottom, and the IO module communicates with the COMM board through the backplane (the green module as below). It could support expansion max of 4 IO slots (only 2 IO slots are installed in below diagram).



1.3 Module selection table

No.	Name	Model	Installation slots	Module sort	Product Series	IO type	IO point	Module description	Status
1	B32	BOXIO-32	/	32 channel sets	BOXIO	/	/	32 channel shell, small LCD display, 32 backplane	Published
2	B64	BOXIO-64	/	64 channel sets	BOXIO	/	/	64 channel shell, big LCD display, 64 backplane	Unpublished
1	MR	BN-8011	/	COMM board	BOXIO	/	/	Modbus-RTU slave function	Unpublished
2	CA	BN-8021	/	COMM board	BOXIO	/	/	CANopen slave function	Unpublished
3	MT	BN-8031	/	COMM board	BOXIO	/	/	Modbus-TCP slave function	Published
4	PN	BN-8032	/	COMM board	BOXIO	/	/	Profinet slave function	Published
5	EC	BN-8033	/	COMM board	BOXIO	/	/	EtherCAT slave function	Published
6	EP	BN-8034	/	COMM board	BOXIO	/	/	EtherNet/IP slave function	Published
7	PL	BN-8035	/	COMM board	BOXIO	/	/	PowerLink slave function	Unpublished
8	CF	BN-8036	/	COMM board	BOXIO	/	/	CC-Link IE Field slave function	Unpublished
9	CB	BN-8037	/	COMM board	BOXIO	/	/	CC-Link IE Field Basic slave function	Unpublished
0	0	Empty	Slots 1, 2, 3, 4	Name only	BOXIO	/	/	Indicates that the corresponding slot is vacant	Unpublished
1	1	BT-124F	Slots 1, 2, 3, 4	DI	BOXIO		16	16 channel / digital input / 24VDC / dual direction, the input high&low level is valid	Published
2	2	Reserved	Slots 1, 2, 3, 4	DI	BOXIO				Unpublished
3	3	Reserved	Slots 1, 2, 3, 4	DI	BOXIO				Unpublished
4	4	Reserved	Slots 1, 2, 3, 4	DI	BOXIO				Unpublished
5	5	BT-221F	Slots 1, 2, 3, 4	DO	BOXIO		16	16 channel / digital output / 24VDC / sink, the output low level is valid	Published
6	6	BT-222F	Slots 1, 2, 3, 4	DO	BOXIO		16	16 channel / digital output / 24VDC / source, the output high level is valid	Published
7	7	Reserved	Slots 1, 2, 3, 4	DO	BOXIO				Unpublished
8	8	Reserved	Slots 1, 2, 3, 4	DO	BOXIO				Unpublished
9	9	Reserved	Slots 1, 2, 3, 4	DO	BOXIO				Unpublished
10	A	BT-3158	Slots 1, 2, 3, 4	AI	BOXIO			8 channels / voltage input / 0-5V/ 0-10V/±5V/±10V, 12bit	Published
11	B	BT-3238	Slots 1, 2, 3, 4	AI	BOXIO			8 channels / current input /0&4-20mA,	Published

								15bit, single ended	
12	C	BT-3244	Slots 1, 2, 3, 4	AI	BOXIO			4 channels / current input / 0&4-20mA, ±20mA, 15 bit, Single-ended bipolar	Published
13	D	BT-3714	Slots 1, 2, 3, 4	AI	BOXIO			4 channels / RTD input / PT100 / 15bit	Published
14	E	BT-3724	Slots 1, 2, 3, 4	AI	BOXIO			4 channels / RTD input / PT1000 / 15bit	Published
15	F	BT-3804	Slots 1, 2, 3, 4	AI	BOXIO			4 channels Thermocouple / TC / Input, 24bit	Published
16	G								Unpublished
17	H		Slots 1, 2, 3, 4	AI	BOXIO				Unpublished
18	I		Slots 1, 2, 3, 4	AI	BOXIO				Unpublished
19	J		Slots 1, 2, 3, 4	AI	BOXIO				Unpublished
20	K		Slots 1, 2, 3, 4	AI	BOXIO				Unpublished
21	L		Slots 1, 2, 3, 4	AI	BOXIO				Unpublished
22	M		Slots 1, 2, 3, 4	AI	BOXIO				Unpublished
23	N		Slots 1, 2, 3, 4	AI	BOXIO				Unpublished
24	O	Not used						Easy to be confused, stopping using	
25	P	BT-4234	Slots 1, 2, 3, 4	AO	BOXIO		4	4 channels / current output / 0&4-20mA, 15bit/16 bit, single ended	Published
26	Q	BT-4154	Slots 1, 2, 3, 4	AO	BOXIO		4	4 channels / Voltage Output /0-5V/0-10V/±5V/±10V, 15bit/16 bit	Published
27	R		Slots 1, 2, 3, 4	AO	BOXIO				Unpublished
28	S		Slots 1, 2, 3, 4	AO	BOXIO				Unpublished
29	T		Slots 1, 2, 3, 4	AO	BOXIO				Unpublished
30	U		Slots 1, 2, 3, 4	AO	BOXIO				Unpublished
31	V	BT-623F	Slots 1, 2, 3, 4	Special module	BOXIO		8/8	8 channel input(sink or source), 8 channel output (source), 24VDC	Published
32	W		Slots 1, 2, 3, 4	Special module	BOXIO				Unpublished
33	X		Slots 1, 2, 3, 4	Special module	BOXIO				Unpublished
34	Y		Slots 1, 2, 3, 4	Special module	BOXIO				Unpublished
35	Z		Slots 1, 2, 3, 4	Special module	BOXIO				Unpublished

For example, the I/O module type **B32-MT16** consists of the following sub-modules:

Set	COMM Board	Slot 1	Slot 2
B32	BN-8031	BT-124F	BT-222F

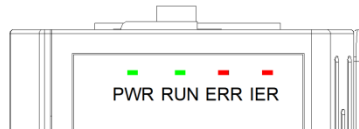
The I/O module type **B64-PN1166** consists of the following sub-modules:

Set	COMM Board	Slot 1	Slot 2	Slot 3	Slot 4
B64	BN-8032	BT-124F	BT-124F	BT-222F	BT-222F

Note: Details please see the selection table above.

1.4 LED Indicator

Users can easily check the power status and communication status of the COMM board and I/O module, as well as the running status of the I/O channel through the LED status indicator. For details about the indicator status, please check each COMM board.

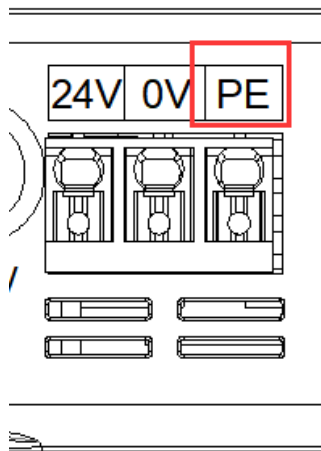


1.5 LCD (Liquid Crystal Display)

The front of the module provides 8*8 OR 16*8 LCD to view the module type, IO channel working status, and version information. For details about the LCD, please check the corresponding chapter of the corresponding module.

1.6 Ground Protection

In order the system and the system connected instrument could all run reliably and ensure the measurement and control accuracy. The module is provided with a ground terminal at the top.



1.7 Wiring

Using push-in connection to connect single wire or crimp terminal (ferrule) wire, no need any other tools. It could save wiring time for users regardless of wiring experience, and ensure safe connection.



The IO carries wiring harness at the bottom of the module. It could fix cables when the I/O module is connected to multiple cables.



1.8 DIN-Rail installation

DIN-Rail Lock could be safely and reliably installed on 35 mm DIN-Rail.



1.9 Installation Size

B32 module installation size: 110*84*28mm,

plused IO wiring terminal size: 110*100*28mm



2 Communication Board (COMM Board)

BN-8031: Modbus-TCP COMM Board

1 The COMM Board Overview

BN-8031 Modbus-TCP COMM board supports standard Modbus-TCP server communication, and the Ethernet supports the cascading function of dual network port switches. The device supports the simultaneous access of 5 clients. It supports 01/02/03/04/05/06/15/16 function code and Modbus application of watchdog. The sum of process data input and output is up to 8192 bytes and it supports 4 extended I/O modules. The module carries diagnostic function and it could monitor the communication status of the I/O module in real time. It also supports input and output fault processing and network fault detection.

2 Technical Parameter

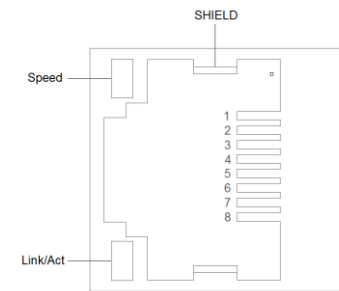
COMM Board Hardware Parameter	
System Power	Power: 9-36VDC (Nominal:24VDC) Protection: Reverse Protection
Power Consumption	50mA@24Vdc
IO module supported	4pcs
Wiring diameter	Max.1.5mm ² (AWG 16)
Environment Parameter	
Operation Temperature	-40~85°C
Operation Humidity	5%-95% (No Condensation)
IP Grade	IP20
Modbus TCP Parameter	
Network Protocol	Modbus TCP
Process Data Area	Sum of input and output: Max 8192 Byte
Diagnostic Function	Supported
Number of client connections	5 Clients
TCP Keepalive	Supported
Modbus Watchdog	Supported (Default: Enable, 30 Seconds)
Function Code	01/02/03/04/05/06/15/16
Network Interface	2*RJ45
Connection Rate	10/100Mbps, MDI/MIDX, Full-Duplex

IP Address	Set via IO Config softwae
------------	---------------------------

3 Hardware Interface

3.1 Network Interface

LAN1/LAN2 supports switch cascading function, 10Mbps/100Mbps rate adaption.



Speed: Network speed LED (Green)

ON: 100Mbps

OFF: 10Mbps

Link/Act: Link state LED, Active state LED(Orange)

ON:Link UP

OFF:Link DOWN

Flash:Active

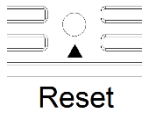
SHIELD:RJ45 RJ45 Shield Interface

RJ45 Pin definition

Pin	Definition	Description
1	TD+	Sending +
2	TD-	Sending -
3	RD+	Receiving +
4	--	--
5	--	--
6	RD-	Receiving -

7	--	--
8	--	--

3.2 Reset button



Reset

Reset: Module reset button, long press the button for more than 5 seconds and all module parameters will be restored to default values.

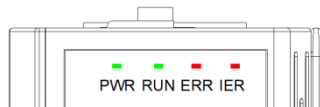
3.3 Configuration Interface



Config

Config: Configuration port, standard Type-C port, it could be used to configure device parameters and upgrade firmware.

3.4 LED indicator



PWR: Power State (GREEN)	Definition
ON	System Power Normal
OFF	System Power Failure
RUN: Network Running State (GREEN)	Definition
FLASH	Modbus data exchange
OFF	No Modbus data exchange
ERR: Network Error (RED)	Definition
FLASH	Network cable not connected
OFF	Network cable already connected
IER: Bus Error (RED)	Definition
FLASH	Modules are incorrectly connected to the COMM board
OFF	All modules are correctly connected to the COMM board

4 Terminal definition

Module wiring adopts 3Pin 3.5mm spacing spring wiring terminals, which are defined as follows:

No.	Marking	Definition
1	PE	Protecting Earthing Terminal
2	V-	Power Input -
3	V+	Power Input +

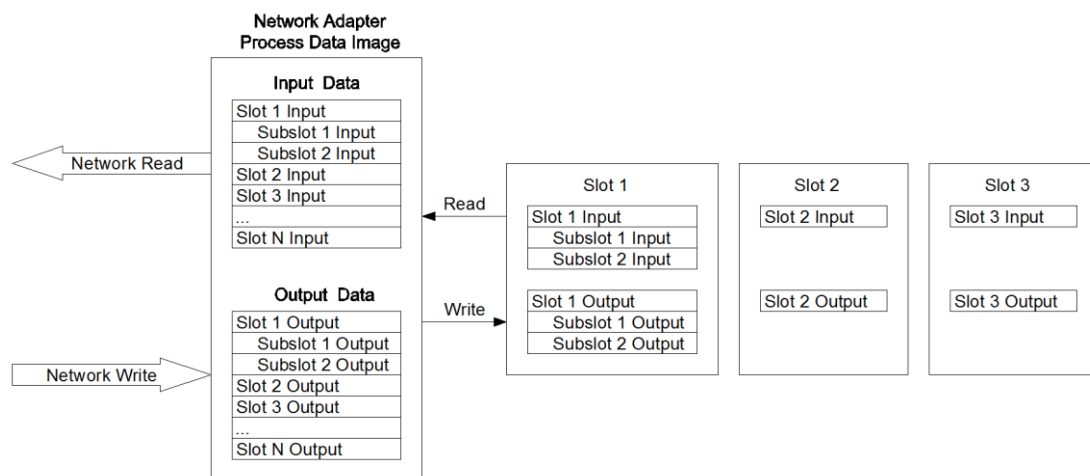
5 Process data definition

5.1 COMM board process data definition

Modbus-TCP COMM board itself has no input-output process data.

5.2 IO module process data mapping

The COMM board reads and writes input and output process data of IO module in real time through the internal bus, and its data mapping model is shown as follow:



Modbus address mapping table varies according to module combination, and detailed address mapping table could be viewed through IO Config – the configuration software.

6 Configuration Parameter Definition

Configuration Parameter								
Bit No	Bit 7	Bit 6	Bit 5	Bit 4	Bit 3	Bit 2	Bit 1	Bit 0
Byte 0	Reserved	Modbus Disconnect Detection	Linkdown Detection	Sniffer Port	Port Mirroring	Fault Action for Output	Fault Action for Input	Source of Config Data
Byte 1	MAC Address[0]							
Byte 2	MAC Address[1]							
Byte 3	MAC Address[2]							
Byte 4	MAC Address[3]							
Byte 5	MAC Address[4]							
Byte 6	MAC Address[5]							
Byte 7	IP Address[0]							
Byte 8	IP Address[1]							
Byte 9	IP Address[2]							
Byte 10	IP Address[3]							
Byte 11	Net Mask[0]							
Byte 12	Net Mask[1]							
Byte 13	Net Mask[2]							
Byte 14	Net Mask[3]							
Byte 15	Net Gateway[0]							
Byte 16	Net Gateway[1]							
Byte 17	Net Gateway[2]							
Byte 18	Net Gateway[3]							
Byte 19	Modbus Port							
Byte 20								
Byte 21	Reserved						Watchdog	
Byte 22	Watchdog Time(s)							
Byte 23								
Byte 24	OLED Display Time							
Byte 25	Reserved							
...								
...								
Byte 39								

Data description:

Source of Config Data: Parameter configuration mode (Default: 0)

0: Software Configuration

1: Field bus Configuration

Fault Action for Input: Input fault handling mode, when IO module is offline, the COMM board will process IO module input data according to this mode. (Default: 0)

0: Hold Last Input Value

1: Clear Input Value

Fault Action for Output: Output fault handling mode, when IO module is offline, the COMM board will process IO module output data according to this mode. (Default: 0)

0: Hold Last Output Value

1: Clear Output Value

Port Mirroring: The port mirroring function could mirror the message of COMM board network data to LAN1 or LAN2 for output. (Default: 0)

0: Disable

1: Enable

Sniffer Port: Mirror port, which is used to monitor COMM board network message data when port mirror function is enabled. (Default: 0)

0: LAN1

1: LAN2

Linkdown Detection: enables or disables network fault Detection. This parameter is optional.

Linkdown Detection: Network fault detection, Enable/Disable is Optional. This function is enabled by default.

Modbus Disconnected Detection: Modbus communication fault detection, Enable/Disable is Optional. This function is enabled by default.

MAC Address: MAC address, read-only property.

IP Address: COMM board IP address

Net Mask: Sub network mask

Net Gateway: Gateway address.

Modbus Port: Modbus-tcp Server port number. (Default: 502)

Watchdog: Modbus watchdog. (Default: 1)

0: Disable

1: Enable

Watchdog Time(s): Modbus application watchdog period, when the watchdog is enabled, if there is no Modbus data exchange on the TCP connection in this period, the TCP connection will be disconnected (other TCP connections with data exchange will be remained normally). (Default: 30)

OLED Display Time: OLED LCD display time (S), the LCD will be steady on when the time is set to 0.

7 System diagnostic area

System diagnostic area is divided into two parts.

The first part: "State input" storage area, address 0x2000 ~ 0x2068, a total of 105 Word.

No.	Storage Type	Description	Storage Capacity	Address Range	Read-write
1	3 Area	System diagnosis - Status input	105 Word	0x2000~0x2068	RO

Modbus client monitors the address area 0x2000~0x2068 by calling Modbus 04 function code to obtain the current working status and error code of the adapter and IO module, the data format is shown as below:

No.	Modbus Address (Decimalism)	Address (Hexadecimal)	Data Name	Description
1	8192	0x2000	<u>Reset Mode</u>	Reset Reason
2	8193	0x2001	Reserve	
3	8194	0x2002	Reserve	
4	8195	0x2003	Running time - Second	
5	8196	0x2004	Running time - Minute	
6	8197	0x2005	Running time - Hour	
7	8198	0x2006	Running time - Day	
8	8199	0x2007	MAC	Current Device MAC

9	8200	0x2008		
10	8201	0x2009		
11	8202	0x200A	IP	Current Device IP
12	8203	0x200B		
13	8204	0x200C	MASK	Current Device MASK
14	8205	0x200D		
15	8206	0x200E	GATEWAY	Current Device GATEWAY
16	8207	0x200F		
17	8208	0x2010	DI-size	Discrete quantity input area data size
18	8209	0x2011	DO-size	Coil output area data size
19	8210	0x2012	AI-size	Input register area data size
20	8211	0x2013	AO-size	Holding register area data size
21	8212	0x2014	Config-Client-IP	Configure interface client IP
22	8213	0x2015		
23	8214	0x2016	Config-Client-Port	Configure interface client port
24	8215	0x2017	Modbus-Client-Number	Connected Modbus client number
25	8216	0x2018	Modbus-Client-1-IP	Client 1-IP
26	8217	0x2019		
27	8218	0x201A	Modbus-Client-1-Port	Client 1-Port
28	8219	0x201B	Modbus-Client-2-IP	Client 2-IP
29	8220	0x201C		
30	8221	0x201D	Modbus-Client-2-Port	Client 2-Port
31	8222	0x201E	Modbus-Client-3-IP	Client 3-IP
32	8223	0x201F		
33	8224	0x2020	Modbus-Client-3-Port	Client 3-Port
34	8225	0x2021	Modbus-Client-4-IP	Client 4-IP
35	8226	0x2022		
36	8227	0x2023	Modbus-Client-4-Port	Client 4-Port
37	8228	0x2024	Modbus-Client-5-IP	Client 5-IP
38	8229	0x2025		
39	8230	0x2026	Modbus-Client-5-Port	Client 5-Port
40	8231	0x2027	Module_Error[0]	Module 0 error code
41	8232	0x2028		
42	8233	0x2029	Module_Error[1]	Module 1 error code
43	8234	0x202A		
44	8235	0x202B	Module_Error[2]	Module 2 error code
45	8236	0x202C		
46	8237	0x202D	Module_Error[3]	Module 3 error code
47	8238	0x202E		
48	8239	0x202F	Module_Error[4]	Module 4 error code
49	8240	0x2030		

*Reset state Register 38193 address data format is shown as below:

Address offset	Address name	Description	Power on default value
Bit 0	Power_On_Reset	Power on reset tag	0/1
Bit 1-3	Reserved	Reserved	0
Bit 4	External_Reset	External Reset tag	0/1
Bit 5	Reserved	Reserved	0
Bit 6	Soft_Reset_Request	Soft Reset tag	0
Bit 7	Reserved	Reserved	0
Bit 8	HardFault	Hard Fault Reset	0
Bit 9	StackOver	Stack Over Reset	0
Bit 10	MemoryOver	Memory Over Reset	0
Bit 11-15	Reserved	\Reserved	0

The second part: "Control Output" storage area, address 0x2000, a total of 1 Word.

No.	Storage Type	Description	Storage Capacity	Address Range	Read-write
1	4 Area	System diagnosis - Control output	1 Word	0x2000	RW

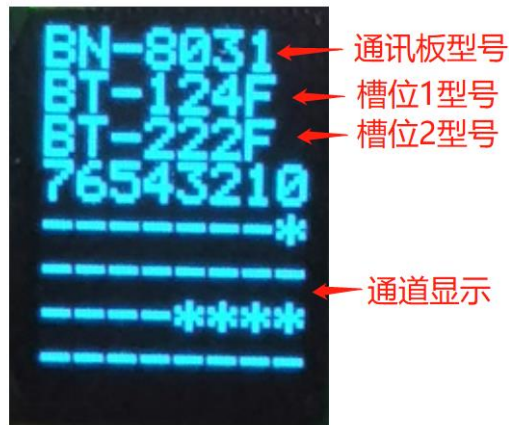
The Modbus client controls the address 0x2000 by calling Modbus 06/16 function code to implement block reset or port mirroring control.

Register 408193 address data format is shown as below:

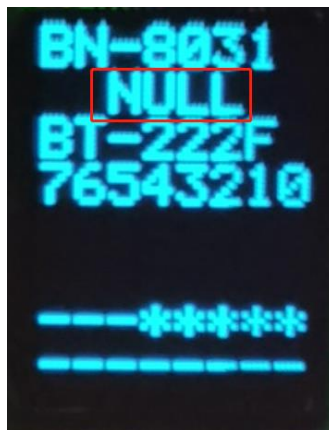
Address offset	Address Name	Description	Value range	Default value
Bit 0	Restart	0->1 Rising edge triggering system reset	0-1	0
Bit 1	Port_Mirror	Port mirroring function enable 0: disabled 1: enable	0-1	0: disabled
Bit 2	Sniffer_Port	Mirror port selection 0:LAN1 1:LAN2	0-1	0:LAN1
Bit 3-15	Reserved	Reserved	0	0

8 LCD display interface

The initial LCD screen is as follows, which displays the COMM board model, slot module model, and channel information (The “*” is displayed for channels with input and output values, and the “-” is displayed for channels without input and output values).



If an I/O module in a slot is empty, "NULL" will be displayed in the corresponding slot:



Press the LCD button to switch to the LCD interface of the COMM board, which displays the module model, IP address, software version, and module fault.



BN-8032: Profinet COMM Board

1 The COMM Board Overview

The BN-8032 Profinet COMM board supports standard Profinet IO Device Communication. The COMM board MRP media redundancy, and it could realize ring network redundancy. And it supports RT/IRT real-time and synchronous communication mode, with its RT real-time communication minimum period of 1ms and IRT synchronous communication minimum period of 250us. The COMM board supports a max input of 1440 bytes, a max output of 1440 bytes, and the number of the extended IO modules it supports is 4.

2 Technical Parameters

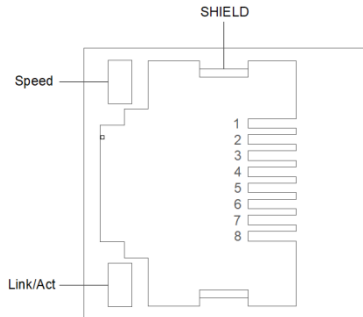
COMM Board Hardware Parameter	
System Power	Power: 9-36VDC (Nominal:24VDC) Protection: Reverse Protection
Power Consumption	100mA@24Vdc
IO module supported	4pcs
Wiring diameter	Max.1.5mm ² (AWG 16)
Environment Parameter	
Operation Temperature	-40~85°C
Operation Humidity	5%-95% (No Condensation)
IP Grade	IP20
Profinet Parameter	
Network Protocol	Profinet IO Device
Process Data Area	Input Max 1440 Bytes, Output Max 1440 Bytes
RT	Supported, Min. period is 1ms s
IRT	Supported, Min.250us, Min. period is 1ms s 250us
MRP	Supported
MRPD	Not supported
Network Interface	2*RJ45
Speed	10/100Mbps, MDI/MIDX, Full-Duplex
Profinet Device Name	Profinet Monitor Modifies the device name

Notice: The COMM board does not support the MRPD (Media Redundancy for Planned Duplication) function, so the MRP and IRT functions cannot be used simultaneously.

3 Hardware Interface

3.1 Network Interface

PORT1 and PORT2 are both Profinet communication port, and support switch function with 10Mbps and 100Mbps data rates, MDI/MID-X auto crossover.



Speed: Network Speed LED (Green)

ON:100Mbps

OFF:10Mbps

Link/Act: Link state LED, Active state LED(Orange)

ON:Link UP

OFF:Link DOWN

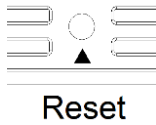
Flash:Active

SHIELD:RJ45 RJ45 Shield Interface

RJ45 Pin definition

Pin	Definition	Description
1	TD+	Sending +
2	TD-	Sending -
3	RD+	Receiving +
4	--	--
5	--	--
6	RD-	Receiving -
7	--	--
8	--	--

3.2 Reset button



Reset: Module reset button, long press the button for more than 5 seconds and all module parameters will be restored to default values.

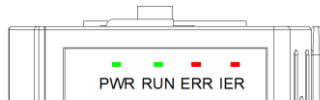
3.3 Configuration Interface



Config: Configuration port, standard Type-C port, it could be used to configure device parameters and upgrade firmware.

Description: device parameters can be set in Profinet IO controller configuration software.

3.4 LED Indicators



PWR: Power State (GREEN)	Definition
ON	System Power Normal
OFF	System Power Failure
RUN: Network Running State (GREEN)	Definition
OFF	Working improperly
ON	Working properly
FLASH	LED light on test
Quick Flash (10Hz)	System error, topology structure error
ERR: Network Error (RED)	Definition
ON	Port1 and Port2 Link-Down
FLASH	System Offline
OFF	System Online
Quick Flash (10Hz)	MAC Address Illegal
IER: Bus Error (RED)	Definition
FLASH	Modules are incorrectly connected to the COMM board
OFF	All modules are correctly connected to the COMM board

4 Terminal definition

Module wiring adopts 3Pin 3.5mm spacing spring wiring terminals, which are defined as follows:

No.	Marking	Definition
1	PE	Protecting Earthing Terminal
2	V-	Power Input -
3	V+	Power Input +

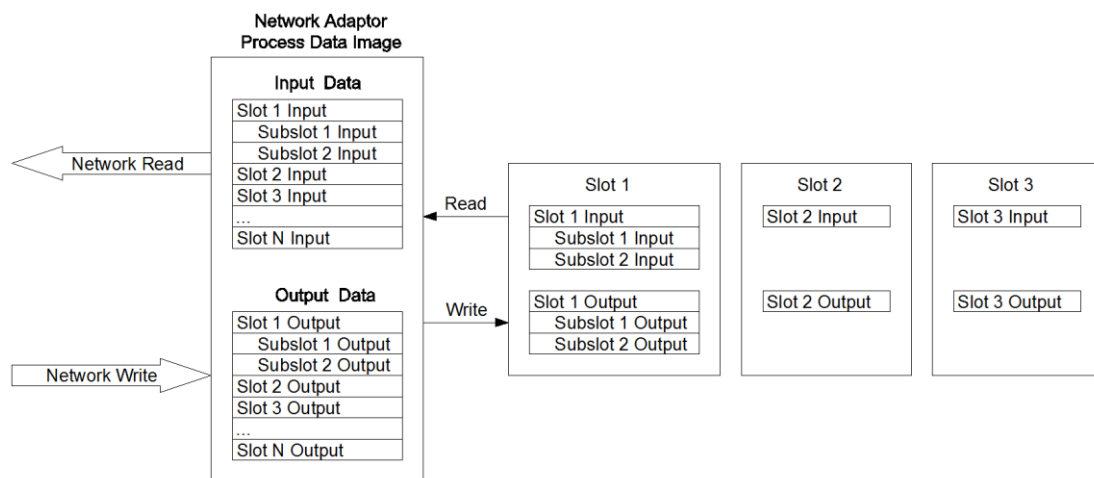
5 Process data definition

5.1 COMM board process data definition

Profinet COMM board itself has no input-output process data.

5.2 IO module process data mapping

The COMM board reads and writes input and output process data of IO module in real time through the internal bus, and its data mapping model is shown as follow:



The max number of input bytes of the Profinet COMM board is 1440 bytes, and the max number of output bytes is 1440 bytes.

6 Configuration Parameter Definition

Configuration Parameter									
Bit No	Bit 7	Bit 6	Bit 5	Bit 4	Bit 3	Bit 2	Bit 1	Bit 0	
Byte 0	Reserved					Fault Action for Output	Fault Action for Input	Source of Config Data	
Byte 1	OLED Display Time								
Byte 2 ... Byte 16	Reserved								
Byte 17	MAC Address[0]								
Byte 18	MAC Address[1]								
Byte 19	MAC Address[2]								
Byte 20	MAC Address[3]								
Byte 21	MAC Address[4]								
Byte 22	MAC Address[5]								
Byte 23	IP Address[0]								
Byte 24	IP Address[1]								
Byte 25	IP Address[2]								
Byte 26	IP Address[3]								
Byte 27	Net Mask[0]								
Byte 28	Net Mask[1]								
Byte 29	Net Mask[2]								
Byte 30	Net Mask[3]								
Byte 31	Net Gateway[0]								
Byte 32	Net Gateway[1]								
Byte 33	Net Gateway[2]								
Byte 34	Net Gateway[3]								
Byte 35 ... Byte 99	Profinet Device Name								

Data description:

Source of Config Data: Parameter configuration mode (Default: 0)

0: Software Configuration

1: Field bus Configuration

Fault Action for Input: Input fault handling mode, when IO module is offline, the COMM board will process IO module input data according to this mode. (Default: 0)

0: Hold Last Input Value

1: Clear Input Value

Fault Action for Output: Output fault handling mode, when IO module is offline, the COMM board will process IO module output data according to this mode. (Default: 0)

0: Hold Last Output Value

1: Clear Output Value

OLED Display Time: OLED LCD display time (S), the LCD will be steady on when the time is set to 0

MAC Address: MAC address, read-only property

IP Address: IP Address, read-only property

Net Mask: Sub network mask, read-only property

Net Gateway: Gateway address, read-only property

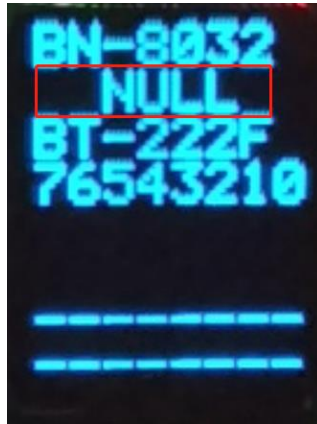
Profinet Device Name: Profinet device name, read-only property

7 LCD display interface

The initial LCD screen is as follows, which displays the COMM board model, slot module model, and channel information (The “*” is displayed for channels with input and output values, and the “-” is displayed for channels without input and output values).



If an I/O module in a slot is empty, “NULL” will be displayed in the corresponding slot:



Press the LCD button to switch to the LCD interface of the COMM board, which displays the module model, IP address, software version, and module fault.



BN-8033: EtherCAT COMM Board

1 The COMM Board Overview

The BN-8033 EtherCAT I/O module supports standard EtherCAT protocol access. The COMM board supports a max input of 1024 bytes and a max output of 1024 bytes, and the number of the extended IO modules it supports is 4.

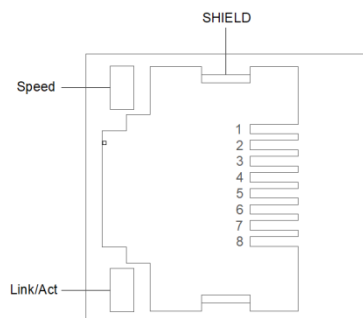
2 Technical Parameters

COMM Board Hardware Parameter	
System Power	Power: 9-36VDC (Nominal:24VDC) Protection: Reverse Protection
Power Consumption	100mA@24Vdc
IO module supported	4pcs
Wiring diameter	Max.1.5mm ² (AWG 16)
Environment Parameter	
Operation Temperature	-40~85°C
Operation Humidity	5%-95% (No Condensation)
IP Grade	IP20
EtherCAT Parameter	
Network Protocol	EtherCAT
Process Data Area	Max input of 1024 bytes and a max output of 1024 bytes
Network Interface	2*RJ45
Connection Rate	10/100Mbps, MDI/MIDX, Full-Duplex

3 Hardware Interface

3.1 Network Interface

IN is the EtherCAT input port and OUT is the EtherCAT output port, 10Mbps/100Mbps rate adaption.



Speed: Network speed LED (Green)

ON: 100Mbps

OFF: 10Mbps

Link/Act: Link state LED, Active state LED(Orange)

ON:Link UP

OFF:Link DOWN

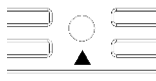
Flash:Active

SHIELD:RJ45 RJ45 Shield Interface

RJ45 Pin definition

Pin	Definition	Description
1	TD+	Sending +
2	TD-	Sending -
3	RD+	Receiving +
4	--	--
5	--	--
6	RD-	Receiving -
7	--	--
8	--	--

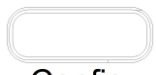
3.2 Reset button



Reset

Reset: Module reset button, long press the button for more than 5 seconds and all module parameters will be restored to default values.

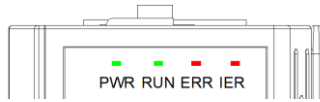
3.3 Configuration Interface



Config

Config: Configuration port, standard Type-C port, it could be used to configure device parameters and upgrade firmware.

3.4 LED indicator



PWR: Power State (GREEN)	Definition
ON	System Power Normal
OFF	System Power Failure
RUN: Network Running State (GREEN)	Definition
FLASH	Operating
OFF	Initializing
Quick Flash (10Hz)	Starting or in BootStrap state
Slow Flash (2.5Hz)	In pre-operational state
Single Flash	In safe running state
ERR: Network Error (RED)	Definition
OFF	No error
ON	Application control failed
Quick Flash (10Hz)	Startup errors
Slow Flash (2.5Hz)	Invalid configuration
Single Flash	Local error, unrequested state switch
Double Flash	Watchdog error
IER: Bus Error (RED)	Definition
FLASH	Modules are incorrectly connected to the COMM board
OFF	All modules are correctly connected to the COMM board

4 Terminal definition

Module wiring adopts 3Pin 3.5mm spacing spring wiring terminals, which are defined as follows:

No.	Marking	Definition
1	PE	Protecting Earthing Terminal
2	V-	Power Input -
3	V+	Power Input +

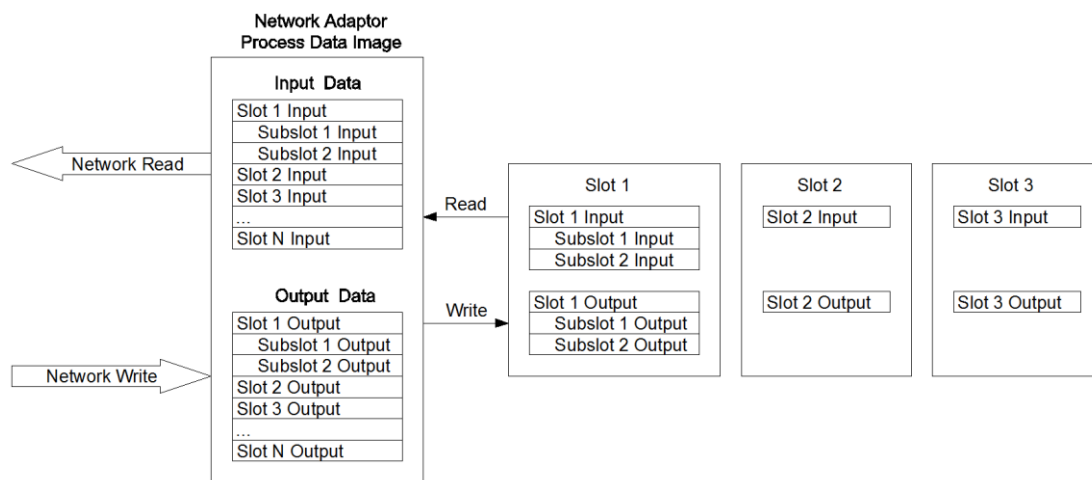
5 Process data definition

5.1 COMM board process data definition

EtherCAT COMM board itself has no input-output process data.

5.2 IO module process data mapping

The COMM board reads and writes input and output process data of IO module in real time through the internal bus, and its data mapping model is shown as follow:



EtherCAT COMM board supports max input bytes of 1024 bytes and a max output bytes of 1024 bytes.

6 Configuration Parameter Definition

Configuration Parameter									
Bit No	Bit 7	Bit 6	Bit 5	Bit 4	Bit 3	Bit 2	Bit 1	Bit 0	
Byte 0	Reserved					Fault Action for Output	Fault Action for Input	Source of Config Data	
Byte 1 ... Byte 2	Station Alias								
Byte 3	OLED Display Time								
Byte 4 ... Byte 18	Reserved								

Data description=

Source of Config Data: Parameter configuration mode (Default: 0)

0: Software Configuration

1: Field bus Configuration

Fault Action for Input: Input fault handling mode, when IO module is offline, the COMM board will process IO module input data according to this mode. (Default: 0)

0: Hold Last Input Value

1: Clear Input Value

Fault Action for Output: Output fault handling mode, when IO module is offline, the COMM board will process IO module output data according to this mode. (Default: 0)

0: Hold Last Output Value

1: Clear Output Value

Station Alia: Alias name of the station

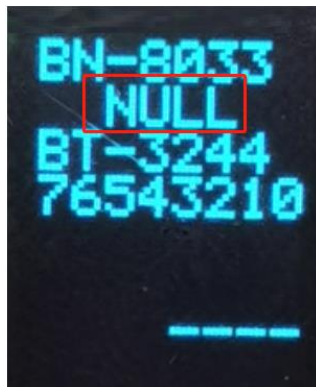
OLED Display Time: OLED LCD display time (S), the LCD will be steady on when the time is set to 0.

7 LCD display interface

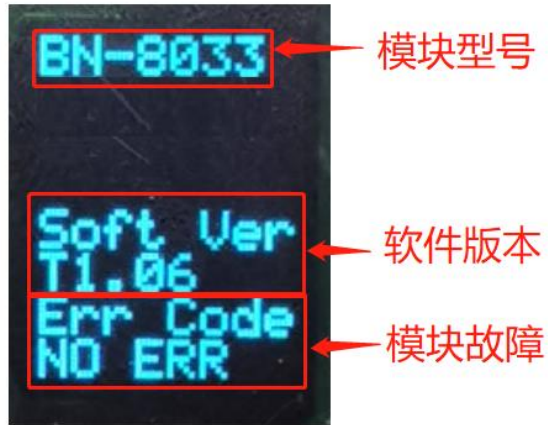
The initial LCD screen is as follows, which displays the COMM board model, slot module model, and channel information (The “*” is displayed for channels with input and output values, and the “-” is displayed for channels without input and output values).



If an I/O module in a slot is empty, “NULL” will be displayed in the corresponding slot:



Press the LCD button to switch to the LCD interface of the COMM board, which displays the module model, IP address, software version, and module fault.



BN-8034: Ethernet/IP COMM Board

1 The COMM Board Overview

The BN-8034 Ethernet/IP I/O module supports standard Ethernet/IP protocol access.

The COMM board supports a max input of 504 bytes and a max output of 504 bytes.

The number of extended I/O modules supported is 4.

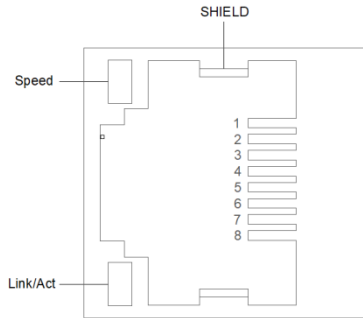
2 Technical Parameter

COMM Board Hardware Parameter	
System Power	Power: 9-36VDC (Nominal:24VDC) Protection: Reverse Protection
Power Consumption	100mA@24Vdc
IO module supported	4pcs
Wiring diameter	Max.1.5mm ² (AWG 16)
Environment Parameter	
Operation Temperature	-40~85°C
Operation Humidity	5%~95% RH (No Condensation)
IP Grade	IP20
Ethernet/IP Parameter	
Network Protocol	Ethernet/IP
Max input length	504 Bytes per assembly instance
Max output length	504 Bytes per assembly instance
Max no. of explicit message connections	10
Max no. of implicit message connections	5
Max no. of CIP connections	10
Network Interface	2*RJ45
Speed	10/100Mbps, MDI/MIDX, Full-Duplex

3 Hardware Interface

3.1 Network Interface

LAN1/LAN2 are the Ethernet/IP Ethernet port, 10M/100M self- adaptive rate.



Speed: Network Speed LED Indicator (Green)

ON:100M

OFF:10M

Link/Act: Link State, Active State (Orange)

ON:Link UP

OFF:Link DOWN

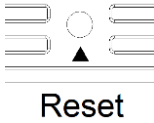
Flash:Active

SHIELD: RJ45 Shield Interface

RJ45 Pin definition

Pin	Definition	Description
1	TD+	Sending +
2	TD-	Sending -
3	RD+	Receiving +
4	--	--
5	--	--
6	RD-	Receiving -
7	--	--
8	--	--

3.2 Reset button



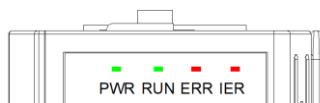
Reset: Module reset button, long press the button for more than 5 seconds and all module parameters will be restored to default values.

3.3 Configuration Interface



Config: Configuration port, standard Type-C port, it could be used to configure device parameters and upgrade firmware.

3.4 LED indicator



PWR: Power State (GREEN)	Definition
ON	System Power Normal
OFF	System Power Failure
RUN: Network Running State (GREEN)	Definition
ON	Connection established. The IP address is configured. At least one CIP connection has been established. The master connection has not timed out
FLASH	The connection is not established. The IP address is configured, the CIP connection is not established, and the master connection has not timed out
ERR: Network Error (RED)	Definition
ON	Duplicate IP address. The IP address is already occupied.
FLASH	The connection timed out. After the IP address is configured, the master connection timed out

IER: Bus Error (RED)	Definition
FLASH	Modules are incorrectly connected to the COMM board
OFF	All modules are correctly connected to the COMM board

Note: If RUN and ERR are off at the same time, and the network cable is not connected. If RUN and ERR are flashing alternately and it is for power-on self-check.

4 Terminal definition

Module wiring adopts 3Pin 3.5mm spacing spring wiring terminals, which are defined as follows:

No.	Marking	Definition
1	PE	Protecting Earthing Terminal
2	V-	Power Input -
3	V+	Power Input +

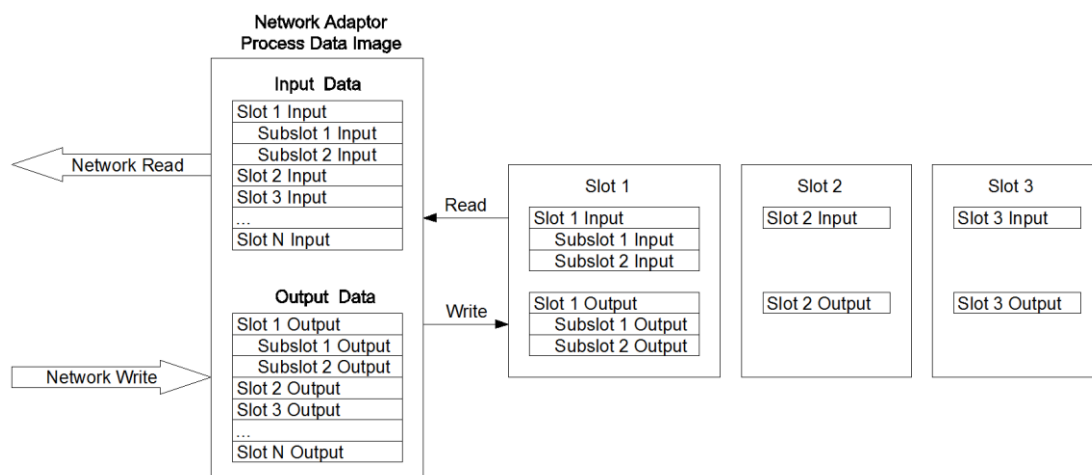
5 Process data definition

5.1 COMM board process data definition

Ethernet/IP COMM board itself has no input-output process data.

5.2 IO module process data mapping

The COMM board reads and writes input and output process data of IO module in real time through the internal bus, and its data mapping model is shown as follow:



EtherNet network adapter max input bytes is 1024 bytes and max output bytes is 1024 bytes.

6 Configuration Parameter Definition

Configuration Parameter								
Bit No	Bit 7	Bit 6	Bit 5	Bit 4	Bit 3	Bit 2	Bit 1	Bit 0
Byte 0	Reserved			O-->T Transfer Format	T-->O Transfer Format	Fault Action for Output	Fault Action for Input	Source of Config Data
Byte 1	MAC Address[0]							
Byte 2	MAC Address[1]							
Byte 3	MAC Address[2]							
Byte 4	MAC Address[3]							
Byte 5	MAC Address[4]							
Byte 6	MAC Address[5]							
Byte 7	IP Address[0]							
Byte 8	IP Address[1]							
Byte 9	IP Address[2]							
Byte 10	IP Address[3]							
Byte 11	Net Mask[0]							
Byte 12	Net Mask[1]							
Byte 13	Net Mask[2]							
Byte 14	Net Mask[3]							
Byte 15	Net Gateway[0]							
Byte 16	Net Gateway[1]							
Byte 17	Net Gateway[2]							
Byte 18	Net Gateway[3]							
Byte 19	T-->O Size (Bytes)							
Byte 20								
Byte 21	O-->T Size (Bytes)							
Byte 22								
Byte 23	OLED Display Time							
Byte 24	Reserved							
...								
Byte 38								

Data description:

Source of Config Data: Parameter configuration mode (Default: 0)

0: Software Configuration

1: Field bus Configuration

Fault Action for Input: Input fault handling mode, when IO module is offline, the COMM board will process IO module input data according to this mode. (Default: 0)

0: Hold Last Input Value

1: Clear Input Value

Fault Action for Output: Output fault handling mode, when IO module is offline, the COMM board will process IO module output data according to this mode. (Default: 0)

0: Hold Last Output Value

1: Clear Output Value

T-->O Transfer Format: T-->O input conversion Format, read-only.

O-->T Transfer Format: O-->T Output conversion Format, read-only.

MAC Address: MAC address, read-only property.

IP Address: COMM board IP address

Net Mask: Sub network mask

Net Gateway: Gateway address.

T-->O Size (Bytes) : T-->O length size (Bytes), read-only.

O-->T Size (Bytes) : O-->T length size (Bytes), read-only.

OLED Display Time: OLED LCD display time (S), the LCD will be steady on when the time is set to 0.

7 LCD display interface

The initial LCD screen is as follows, which displays the COMM board model, slot module model, and channel information (The “*” is displayed for channels with input and output values, and the “-” is displayed for channels without input and output values).



If an I/O module in a slot is empty, "NULL" will be displayed in the corresponding slot:



Press the LCD button to switch to the LCD interface of the COMM board, which displays the module model, IP address, software version, and module fault.



3 Extended IO module

BT-124F: 16 channel digital input / 24VDC

/Sink/Source dual direction, the input high&low level is valid

1 Module features

- ◆ the module supports 16 channels digital input, supports sink type & source type input. The input high level (sink type) is valid and the module it could be connected to PNP sensor while the input low level (source type) is valid, and the module it could be connected to NPN sensor.
- ◆ the module can collect digital output signal of field equipment (dry contact or active output).
- ◆ the module can be accessed to 2-wire or 3-wire digital sensor.
- ◆ the internal bus and field input of the module adopts opto-isolator.
- ◆ the module supports the input signal holding function, and the holding time can be set.
- ◆ by adding counting sub-module, the counting function is valid.
- ◆ each input channel of the module supports a 32-bit counter with the counting frequency <200Hz.
- ◆ the module can be set the digital signal input filtering time and the byte transmission order of the counter.
- ◆ each channel of the module could be set the counting mode and counting direction independently.
- ◆ the module supports LCD display of basic module information and channel indicating display parameters

2 Technical parameters

General parameters	
Power Consumption	Max.60mA@5.0Vdc
Isolation	I/O to internal bus: opto-couple isolation (3KVrms)
Field Power	Nominal:24Vdc, Range:22-28Vdc
Wiring	I/O wiring: Max 1mm ² (AWG 18)
Environment Specification	
Operational Temperature	-40~85°C
Operational Humidity	5%-95% (No Condensation)
Protection Class	IP20
Input parameters	
Channel Number	16 channels digital input, supports sink type & source type input
Turn-on voltage	High input: Min.10Vdc to Max.28Vdc (common terminal:0Vdc) Low input: Min.0Vdc to Max.14Vdc (common terminal:24Vdc)
Turn-off Voltage	High input: Max.5Vdc (common terminal:0Vdc) Low input: Min.19Vdc (common terminal:24Vdc)
Turn-on current	Max.15mA/channel@28V
Input impedance	>7.5kΩ
Input delay	OFF to ON: Max.2ms ON to OFF: Max.2ms
Filter time	Default 10ms
Sample frequency	500Hz
Counter frequency	<200Hz

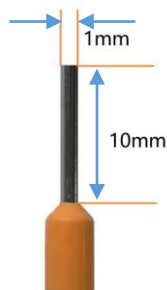
3 Terminal definition

Module wiring adopts 20Pin 3.5mm spacing spring wiring terminals, which are defined as follows:

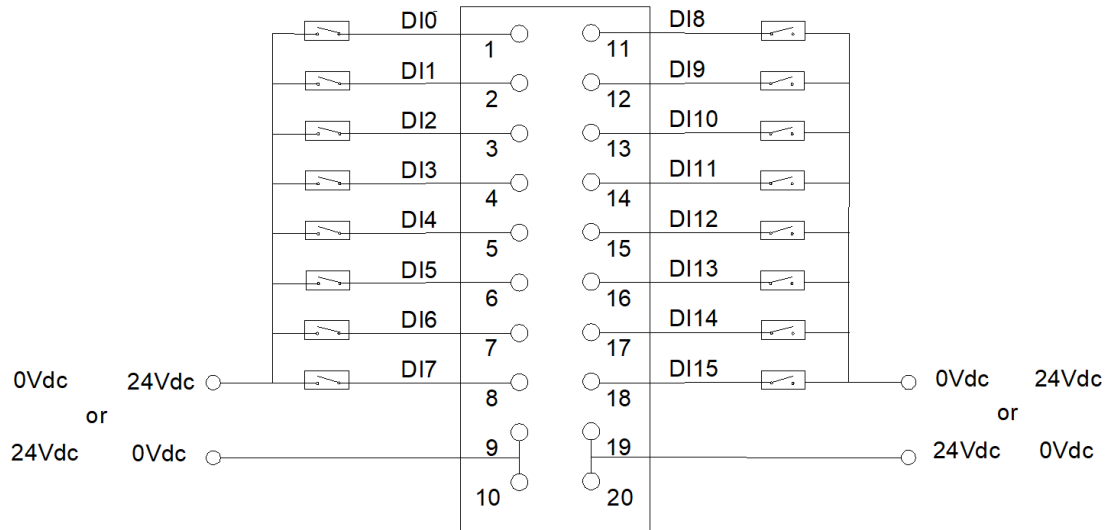
Description	Terminal Number	Symbol	Symbol	Terminal Number	Description
Signal input	1	DI0	DI8	11	Signal input
	2	DI1	DI9	12	
	3	DI2	DI10	13	
	4	DI3	DI11	14	
	5	DI4	DI12	15	
	6	DI5	DI13	16	
	7	DI6	DI14	17	
	8	DI7	DI15	18	
Common terminal	9	24V or 0V	24V or 0V	19	Common terminal
	10			20	

It is recommended to use cables with cores smaller than 1mm ?

The cold-pressed terminal parameters are as follows:



4 Wiring



Note: Terminals 9 and 10 are internally short-circuited.
Terminals 19 and 20 are internally short-circuited.

5 Process data definition

<16DI Input Status> Submodule process data definition

Input data								
Bit No	Bit 7	Bit 6	Bit 5	Bit 4	Bit 3	Bit 2	Bit 1	Bit 0
Byte 0	DI Ch#7	DI Ch#6	DI Ch#5	DI Ch#4	DI Ch#3	DI Ch#2	DI Ch#1	DI Ch#0
Byte 1	DI Ch#15	DI Ch#14	DI Ch#13	DI Ch#12	DI Ch#11	DI Ch#10	DI Ch#9	DI Ch#8

Data description:

DI Ch#(0-15): When the corresponding channel input signal is valid, the bit is 1, and when the input is invalid, it is 0.

0: Input signal invalid

1: Input signal valid

<16DI Counter Submodule> Submodule process data definition:

Input data								
Bit No	Bit 7	Bit 6	Bit 5	Bit 4	Bit 3	Bit 2	Bit 1	Bit 0
Byte 0	Counter Value Ch#0							
Byte 1								
Byte 2								
Byte 3								
Byte 4	Counter Value Ch#1							
Byte 5								
Byte 6								
Byte 7								
Byte 8	Counter Value Ch#2							
Byte 9								
Byte 10								
Byte 11								
Byte 12	Counter Value Ch#3							
Byte 13								
Byte 14								
Byte 15								
Byte 16	Counter Value Ch#4							
Byte 17								
Byte 18								
Byte 19								
Byte 20	Counter Value Ch#5							
Byte 21								
Byte 22								
Byte 23								

Byte 24	Counter Value Ch#6							
Byte 25								
Byte 26								
Byte 27								
Byte 28	Counter Value Ch#7							
Byte 29								
Byte 30								
Byte 31								
Byte 32	Counter Value Ch#8							
Byte 33								
Byte 34								
Byte 35								
Byte 36	Counter Value Ch#9							
Byte 37								
Byte 38								
Byte 39								
Byte 40	Counter Value Ch#10							
Byte 41								
Byte 42								
Byte 43								
Byte 44	Counter Value Ch#11							
Byte 45								
Byte 46								
Byte 47								
Byte 48	Counter Value Ch#12							
Byte 49								
Byte 50								
Byte 51								
Byte 52	Counter Value Ch#13							
Byte 53								
Byte 54								
Byte 55								
Byte 56	Counter Value Ch#14							
Byte 57								
Byte 58								
Byte 59								
Byte 60	Counter Value Ch#15							
Byte 61								
Byte 62								
Byte 63								
Output data								
Bit No	Bit 7	Bit 6	Bit 5	Bit 4	Bit 3	Bit 2	Bit 1	Bit 0
Byte 0	Counter Reset Ch#7	Counter Reset Ch#6	Counter Reset Ch#5	Counter Reset Ch#4	Counter Reset Ch#3	Counter Reset Ch#2	Counter Reset Ch#1	Counter Reset Ch#0
Byte 1	Counter Reset Ch#15	Counter Reset Ch#14	Counter Reset Ch#13	Counter Reset Ch#12	Counter Reset Ch#11	Counter Reset Ch#10	Counter Reset Ch#9	Counter Reset Ch#8

Data description:

Counter Value Ch#(0-15): Count value, 32-bit unsigned integer, automatically zeroing after overflow.

Counter Reset Ch#(0-15): When the data bit changes from 0 to 1 (rising edge), the input counter of the corresponding channel is cleared.

Note: the max counting frequency of the input channel is 200Hz. When the input signal exceeds this frequency, the counting result may be inconsistent with the actual value.

6 Configuration parameter definitions

<16DI Input Status> Submodule configuration parameter definition

Configuration parameters								
Bit No	Bit 7	Bit 6	Bit 5	Bit 4	Bit 3	Bit 2	Bit 1	Bit 0
Byte 0	Input Filtering Time(ms)							
Byte 1								
Byte 2	Reserved				Input Holding Time(ms)			

Data description:

Input Filtering Time(ms): Input filter time of Channel (ms) (Default: 10)

Input Holding Time(ms): Signal input holding time of Channel (ms) (Default:0)

- 0: Disable
- 1: 200ms
- 2: 500ms
- 3: 1000ms
- 4: 1500ms
- 5: 2000ms
- 6: 3000ms
- 7: 5000ms

<16DI Counter Submodule> Submodule configuration parameter definition

Configuration parameters									
Bit No	Bit 7	Bit 6	Bit 5	Bit 4	Bit 3	Bit 2	Bit 1	Bit 0	
Byte 0	Reserved				Storage Enable	Storage Function	32Bit Data Format		
Byte 1	Count Mode Ch#3		Count Mode Ch#2		Count Mode Ch#1		Count Mode Ch#0		
Byte 2	Count Mode Ch#7		Count Mode Ch#6		Count Mode Ch#5		Count Mode Ch#4		
Byte 3	Count Mode Ch#11		Count Mode Ch#10		Count Mode Ch#9		Count Mode Ch#8		
Byte 4	Count Mode Ch#15		Count Mode Ch#14		Count Mode Ch#13		Count Mode Ch#12		
Byte 5	Count Direction Ch#7	Count Direction Ch#6	Count Direction Ch#5	Count Direction Ch#4	Count Direction Ch#3	Count Direction Ch#2	Count Direction Ch#1	Count Direction Ch#0	
Byte 6	Count Direction Ch#15	Count Direction Ch#14	Count Direction Ch#13	Count Direction Ch#12	Count Direction Ch#11	Count Direction Ch#10	Count Direction Ch#9	Count Direction Ch#8	

Data description:

32Bit Data Format: Byte transfer order of Channel count value (Default: 0)

- 0: AB-CD
- 1: BA-DC
- 2: CD-AB
- 3: DC-BA

Storage Function: Storage Function is supported or not, read only attribute, and this value is the actual value of the module when uploading device parameters.

- 0: storage is not supported
- 1: storage is supported

Storage Enable: Storage enable, when the Storage Function enables, the IO module will save the count value in real time to non-volatile memory, and load the last saved count value on the next power on. (Default: 1)

- 0: Disabled
- 1: Enable

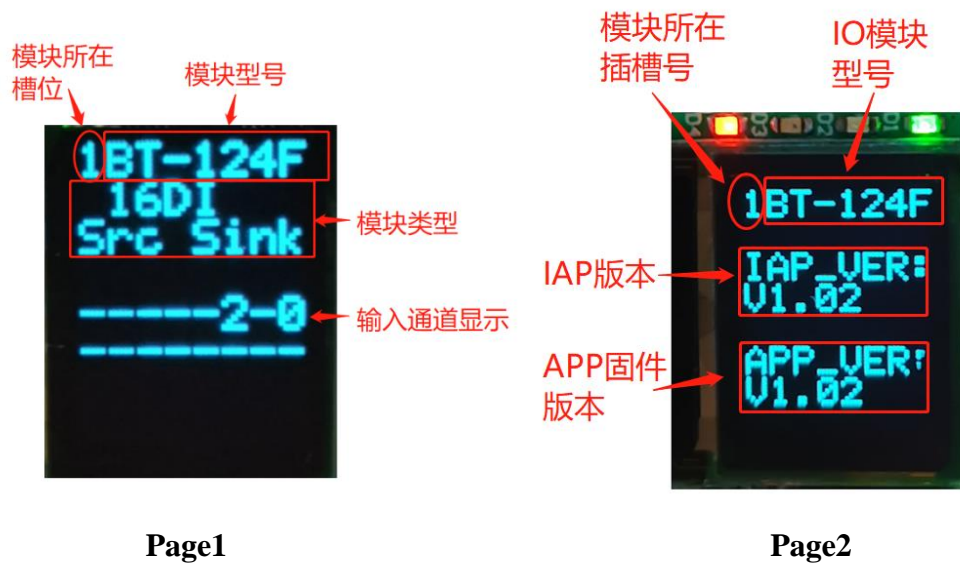
Count Mode Ch# (0-15): Count mode of the input channel. (Default: 0)

- 0: rising edge count
- 1: falling edge count
- 2: double edge count

Count Direction Ch# (0-15): The counting direction of the input channel. (Default: 0)

- 0: count up
- 1: count down

7 LCD display interface



Note: The module information display is with a total of 2 pages, the 1st page mainly displays channel status, information tips, and module type information. The 2nd page mainly displays software version information.

Page 1: Display channel status and module type

The first row shows the slot number (**1**) of the module and the module model name (**BT-124F**).

Row 2 and 3 show the module type (**16DI, Src or Sink**)

Row 5 and 6 display the channel input display tips. If it displays tips, and this would be indication to the corresponding channels, whereas there is no input and the display will be "-". The display will be from right to left, and the high - order byte will be displayed in the front, the low - order byte will be displayed in the back.

1. For example, if all 16 channels have input, and row 5 & 6 will be displayed as:

76543210

FEDCBA98

2. If there is no input for 16 channels, and row 5 & 6 will be displayed as:

3. If the COMM board is connected with the master first and then disconnected (the

disconnected time exceeds the watchdog time), and row 5 & 6 will be displayed as:

__fault__

__fault__

Page 2: Display software version information.

Row 1 displays the slot number (**1**) of the module and the module model name (**BT-124F**).

Row 3 and 4 display the IAP version information for the module (**V1.02**)

Row 6 and 4 display the APP version information for this module (**V1.02**)

BT-222F: 16 channel / digital output / 24VDC / source, the output high level is valid

1 Module features

- ◆ the module supports 16 channels digital output, and the output voltage is 24VDC and the output high level is valid.
- ◆ the module can drive field equipment. (relay, solenoid valve, etc.)
- ◆ the internal bus of the module and field output are using opto-coupler.
- ◆ the module has the functions of thermal shutdown and overcurrent protection.
- ◆ the module supports short circuit protection and overload protection warning functions to corresponding channels.
- ◆ the module supports LCD display of basic module information and channel indicator display parameters.
- ◆ the module supports the fault output processing function when the application layer is disconnected.

2 Technical parameters

General Parameters	
Power	Max.175mA@5.0Vdc
Isolation	I/O to internal bus: opto-couple isolation (3KVrms)
Field Power	Nominal:24Vdc, Range:22-28Vdc
Wiring	I/O wiring: Max 1mm ² (AWG 18)
Environment Specification	
Operational Temperature	-40~85°C
Operational Humidity	5%-95% (No Condensation)
Protection Class	IP20
Output Parameters	
Channel Number	16 channel source type output
Rated Current	Typical value: 700mA

Leakage Current	Max: 5uA
Output Impedance	<120mΩ
Output Delay	OFF to ON: Max.100us ON to OFF: Max.100us
Protection	Overtemperature shutdown: typical value is 130°C Overcurrent protection: typical value 1.3A Short circuit protection: support

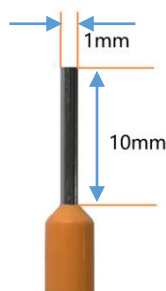
3 Terminal definition

Module wiring adopts 20Pin 3.5mm spacing spring wiring terminals, which are defined as follows:

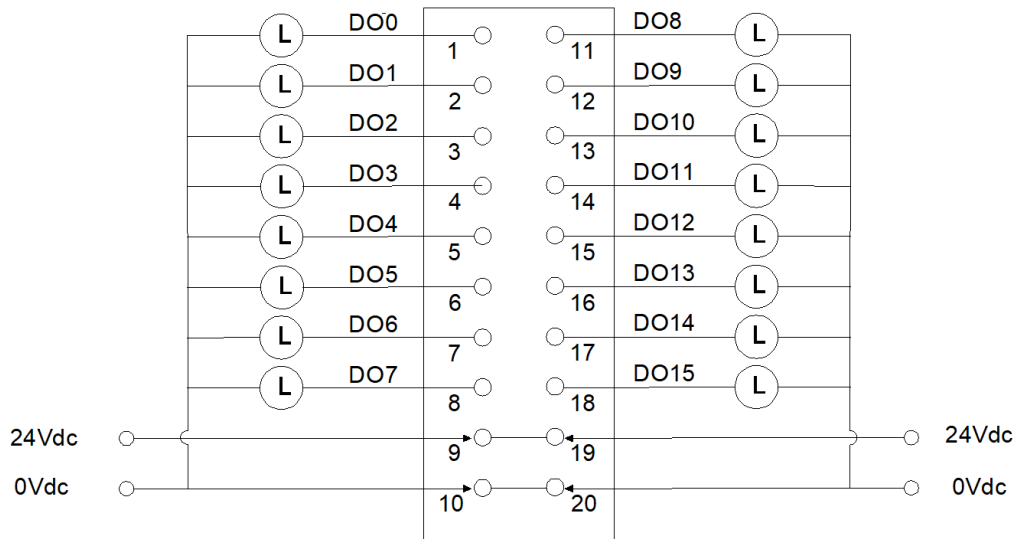
Description	Terminal Number	Symbol	Symbol	Terminal Number	Description
Signal output	1	DO0	DO8	11	Signal output
	2	DO1	DO9	12	
	3	DO2	DO10	13	
	4	DO3	DO11	14	
	5	DO4	DO12	15	
	6	DO5	DO13	16	
	7	DO6	DO14	17	
	8	DO7	DO15	18	
Power	9	24V	24V	19	Power
	10	0V	0V	20	

It is recommended to use cables with cores smaller than 1mm ?

The cold-pressed terminal parameters are as follows:



4 Wiring



Note: Terminals 9 and 19 are internally short-circuited.
Terminals 10 and 20 are internally short-circuited.

5 Process data definition

Output data								
Bit No	Bit 7	Bit 6	Bit 5	Bit 4	Bit 3	Bit 2	Bit 1	Bit 0
Byte 0	DO Ch#7	DO Ch#6	DO Ch#5	DO Ch#4	DO Ch#3	DO Ch#2	DO Ch#1	DO Ch#0
Byte 1	DO Ch#15	DO Ch#14	DO Ch#13	DO Ch#12	DO Ch#11	DO Ch#10	DO Ch#9	DO Ch#8

Data declaration:

DO Ch#(0-15): when this bit is 1, the corresponding channel output signal is valid, the output is high level, and the output is invalid when it is 0.

0: Output signal is invalid

1: Output signal is valid

6 Configuration parameter definitions

Configuration parameters								
Bit No	Bit 7	Bit 6	Bit 5	Bit 4	Bit 3	Bit 2	Bit 1	Bit 0
Byte 0	Fault Action for Output Ch#7	Fault Action for Output Ch#6	Fault Action for Output Ch#5	Fault Action for Output Ch#4	Fault Action for Output Ch#3	Fault Action for Output Ch#2	Fault Action for Output Ch#1	Fault Action for Output Ch#0
Byte 1	Fault Action for Output Ch#15	Fault Action for Output Ch#14	Fault Action for Output Ch#13	Fault Action for Output Ch#12	Fault Action for Output Ch#11	Fault Action for Output Ch#10	Fault Action for Output Ch#9	Fault Action for Output Ch#8
Byte 2	Fault Value for Output Ch#7	Fault Value for Output Ch#6	Fault Value for Output Ch#5	Fault Value for Output Ch#4	Fault Value for Output Ch#3	Fault Value for Output Ch#2	Fault Value for Output Ch#1	Fault Value for Output Ch#0
Byte 3	Fault Value for Output Ch#15	Fault Value for Output Ch#14	Fault Value for Output Ch#13	Fault Value for Output Ch#12	Fault Value for Output Ch#11	Fault Value for Output Ch#10	Fault Value for Output Ch#9	Fault Value for Output Ch#8

Data description:

Fault Action for Output Ch#(0-15): Fault Output mode. When the IO module detects an internal bus exception and fails to communicate with the adapter. And the module will turn to offline mode, so the output data is processed in this way. (default: 0)

0: keep the last time output State.

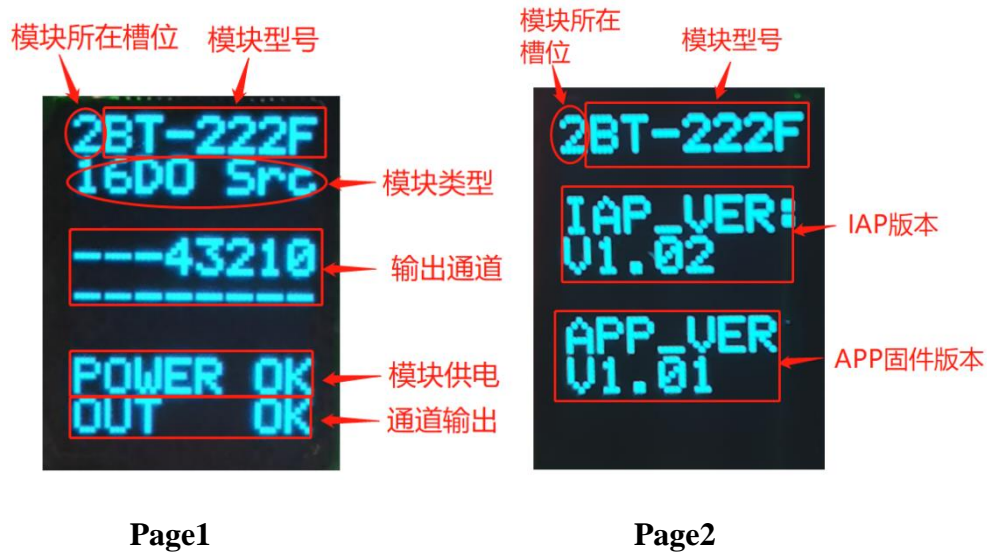
1: output fault value.

Fault Value for Output Ch#(0-15): when the Fault Output mode is 1, this bit sets the Fault Output Value, and this setting value will be outputted when the internal bus of IO module is offline. (default: 0)

0: Output low level.

1: Output high level.

7 LCD display interface



Note: The module information display is 2 pages in total, the first number on the first row of each page indicates the slot location of the module, and the module model is displayed behind. The first page mainly displays channel status, information tips, and module type information, and the second page mainly displays software version information.

Page 1: Display channel status and module type

The first row shows the slot number (2) of the module and the module model name (BT-222F).

Row 2 shows the module type (16DO Src)

Row 4 and 5 display the channel output display tips. If it displays tips, and this would be indication to the corresponding channels, whereas there is no output and the display will be "-". The display will be from right to left.

1. For example, if all 16 channels have output, and the two rows will be displayed as:

76543210

FEDCBA98

2. If there is no output for 16 channels, and the two rows will be displayed as:

3. If the COMM board is connected with the master first and then disconnected, and the application layer is disconnected, and after the fault output has been processed.

Then the two rows will be displayed as:

__fault__

__fault__

4.Row 7 shows the onsite power supply of the module. **"POWER OK"** is displayed if onsite power supply is connected. "NO 24Vdc" is displayed if onsite power supply is not connected.

5.Row 8 shows the output state of the channel, and it is not displayed if the output is normal. If the channel is overloaded, or the output is faulty, and the LCD will be displayed as **"H Temper"**, so the corresponding channel indicator will be displayed as

"^". For example, it is displayed as below when the second channel output is overloaded

765432^0

FEDCBA98

Page 2: Display software version information.

Row 1 displays the slot number (**2**) of the module and the module model name (**BT-222F**).

Row 3 and 4 display the IAP version information for the module (**V1.02**)

Row 6 and 4 display the APP version information for this module (**V1.01**)

BT-221F: 16 channel / digital output / 24VDC / sink, the output low level is valid

1 Module features

- ◆ the module supports 16 channels digital output; the output voltage is 0V and the output low level is valid.
- ◆ the module can drive field equipment (relay, solenoid valve, etc.).
- ◆ the internal bus and field output of the module both adopt electromagnetic isolation.
- ◆ the module has the function of thermal shutdown and over current protection.
- ◆ the module supports the short circuit warning function to the corresponding channel.
- ◆ the module supports the fault output processing function when the application layer is disconnected.

2 Technical parameters

General Parameters	
Power	Max.140mA@5.0Vdc
Isolation	I/O to internal bus: opto-couple isolation (3KVrms)
Field Power	Nominal:24Vdc, Range:22-28Vdc
Wiring	I/O wiring: Max 1mm ² (AWG 18)
Environment Specification	
Operational Temperature	-40~85°C
Operational Humidity	5%-95% (No Condensation)
Protection Class	IP20
Output parameters	
Channel Number	16 channel sink type output
Rated Current	Single channel output: Max.500mA

	Simultaneously output: Max.300mA
Leakage Current	Max: 30uA
RDSON	Typical value: 1.5Ω
Output Delay	OFF to ON: Max.100us ON to OFF: Max.100us
Protection	Overtemperature shutdown: typical value is 160°C Overcurrent protection: typical value 620mA Short circuit protection: supported

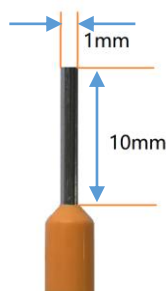
3 Terminal definition

Module wiring adopts 20Pin 3.5mm spacing spring wiring terminals, which are defined as follows:

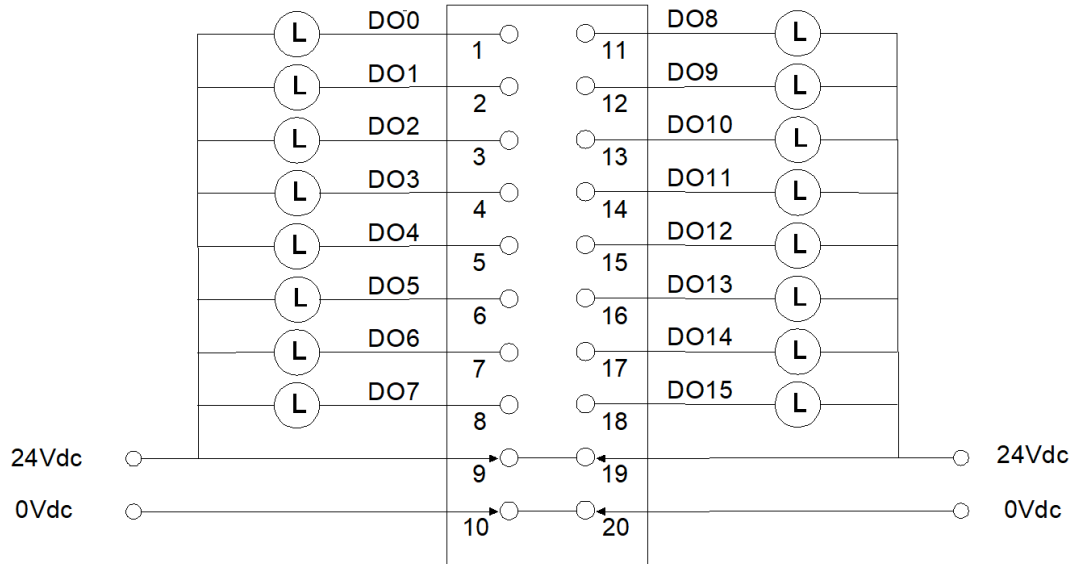
Description	Terminal Number	Symbol	Symbol	Terminal Number	Description
Signal output	1	DO0	DO8	11	Signal output
	2	DO1	DO9	12	
	3	DO2	DO10	13	
	4	DO3	DO11	14	
	5	DO4	DO12	15	
	6	DO5	DO13	16	
	7	DO6	DO14	17	
	8	DO7	DO15	18	
Power	9	24V	24V	19	Power
	10	0V	0V	20	

It is recommended to use cables with cores smaller than 1mm ?

The cold-pressed terminal parameters are as follows:



4 Wiring



Note: Terminals 9 and 19 are internally short-circuited.
Terminals 10 and 20 are internally short-circuited.

5 Process data definition

Output data								
Bit No	Bit 7	Bit 6	Bit 5	Bit 4	Bit 3	Bit 2	Bit 1	Bit 0
Byte 0	DO Ch#7	DO Ch#6	DO Ch#5	DO Ch#4	DO Ch#3	DO Ch#2	DO Ch#1	DO Ch#0
Byte 1	DO Ch#15	DO Ch#14	DO Ch#13	DO Ch#12	DO Ch#11	DO Ch#10	DO Ch#9	DO Ch#8

Data declaration:

DO Ch#(0-15): when this bit is 1, the corresponding channel output signal is valid, the output is low level, and the output is invalid when it is 0.

0: Output signal is invalid

1: Output signal is valid

6 Configuration parameter definitions

Configuration parameters								
Bit No	Bit 7	Bit 6	Bit 5	Bit 4	Bit 3	Bit 2	Bit 1	Bit 0
Byte 0	Fault Action for Output Ch#7	Fault Action for Output Ch#6	Fault Action for Output Ch#5	Fault Action for Output Ch#4	Fault Action for Output Ch#3	Fault Action for Output Ch#2	Fault Action for Output Ch#1	Fault Action for Output Ch#0
Byte 1	Fault Action for Output Ch#15	Fault Action for Output Ch#14	Fault Action for Output Ch#13	Fault Action for Output Ch#12	Fault Action for Output Ch#11	Fault Action for Output Ch#10	Fault Action for Output Ch#9	Fault Action for Output Ch#8
Byte 2	Fault Value for Output Ch#7	Fault Value for Output Ch#6	Fault Value for Output Ch#5	Fault Value for Output Ch#4	Fault Value for Output Ch#3	Fault Value for Output Ch#2	Fault Value for Output Ch#1	Fault Value for Output Ch#0
Byte 3	Fault Value for Output Ch#15	Fault Value for Output Ch#14	Fault Value for Output Ch#13	Fault Value for Output Ch#12	Fault Value for Output Ch#11	Fault Value for Output Ch#10	Fault Value for Output Ch#9	Fault Value for Output Ch#8

Data description:

Fault Action for Output Ch#(0-15): Fault Output mode. When the IO module detects an internal bus exception and fails to communicate with the adapter. And the module will turn to offline mode, so the output data is processed in this way. (default: 0)

0: keep the last time output State.

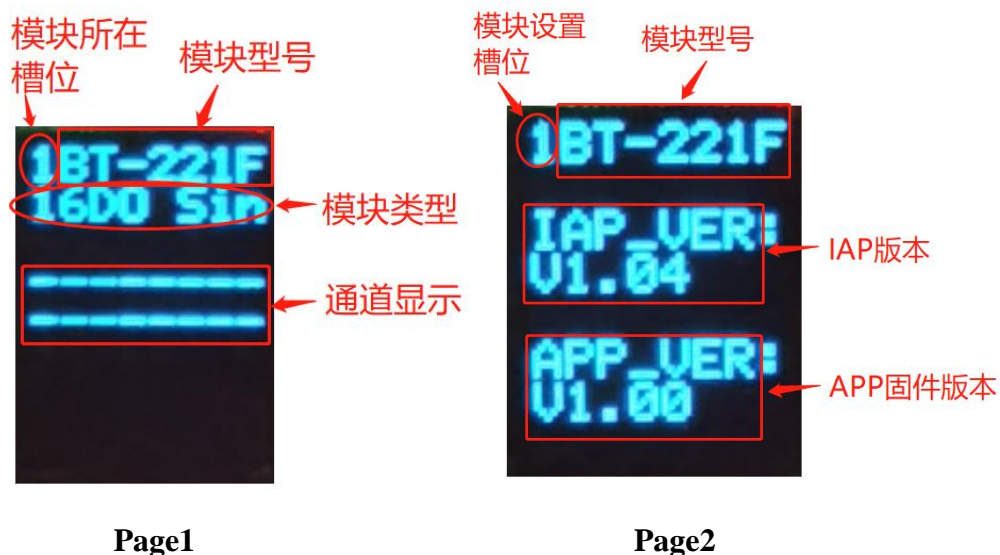
1: output fault value.

Fault Value for Output Ch#(0-15): when the Fault Output mode is 1, this bit sets the Fault Output Value, and this setting value will be outputted when the internal bus of IO module is offline. (default: 0)

0: Output low level.

1: Output high level.

7 LCD display interface



Note: The module information display is 2 pages in total, the first number on the first row of each page indicates the slot location of the module, and the module model is displayed behind. The first page mainly displays channel status, information tips, and module type information, and the second page mainly displays software version information.

Page 1: Display channel status and module type

The first row shows the slot number (**1**) of the module and the module model name (**BT-221F**).

Row 2 shows the module type (**16DO Sin**)

Row 4 and 5 display the channel output display tips. If it displays tips, and this would be indication to the corresponding channels, whereas there is no output and the display will be "-". The display will be from right to left.

1. For example, if all 16 channels have output, and the two rows will be displayed as:

76543210

FEDCBA98

2. If there is no output for 16 channels, and the two rows will be displayed as:

3. If the COMM board is connected with the master first and then disconnected, and the application layer is disconnected, and after the fault output has been processed.

Then the two rows will be displayed as:

__fault__

__fault__

Row 8 shows the output state of the channel, and it is not displayed if the output is normal. And if the channel is overcurrent short circuited, or the output is faulty, and the LED will be displayed as "**CH Short**", so the corresponding channel indicator is displayed as "**^**". For example, if the second channel output is overloaded and it will be displayed as:

765432^0

FEDCBA98

Page 2: Display software version information.

Row 1 displays the slot number (**1**) of the module and the module model name (**BT-221F**).

Row 3 and 4 display the IAP version information for the module (**V1.04**)

Row 6 and 4 display the APP version information for this module (**V1.00**)

BT-3158: 8 channels / voltage input / 0-5VDC/ 0-10VDC/±5VDC/±10VDC, 12bits

1 Module features

- ◆ the module supports 8 channels of voltage signal input
- ◆ the module could collect signal of 0~5VDC, 0~10VDC, ±5VDC, ±10VDC, with a 12-bit resolution.

- ◆ the module input signal is a single ended common grounding input
- ◆ the filtering time could be set.
- ◆ the module supports LCD display of basic module information and channel indicator display parameters

2 Technical Parameters

General Parameters	
Power	Max.100mA@5.0Vdc
Isolation	I/O to internal bus: opto-couple isolation (3KVrms)
Wiring	I/O wiring: Max 1mm ² (AWG 18)
Environment Specification	
Operational Temperature	-40~85°C
Operational Humidity	5%-95% (No Condensation)
Protection Class	IP20
Input parameters	
Channel Number	8 channel voltage input
LED Indicator	0~5VDC, 0~10VDC, ±5VDC, ±10VDC
Resolution	12Bits
Accuracy	±0.3%@25°C ±0.5@-40~85°C
Sample Rate	2ms/8 channels
Import Impedance	1MΩ
Common Terminal	Common Grounding Input
Data format	16 - bit signed integer

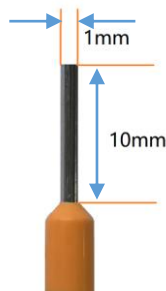
3 Terminal definition

Module wiring adopts 20Pin 3.5mm spacing spring wiring terminals, which are defined as follows:

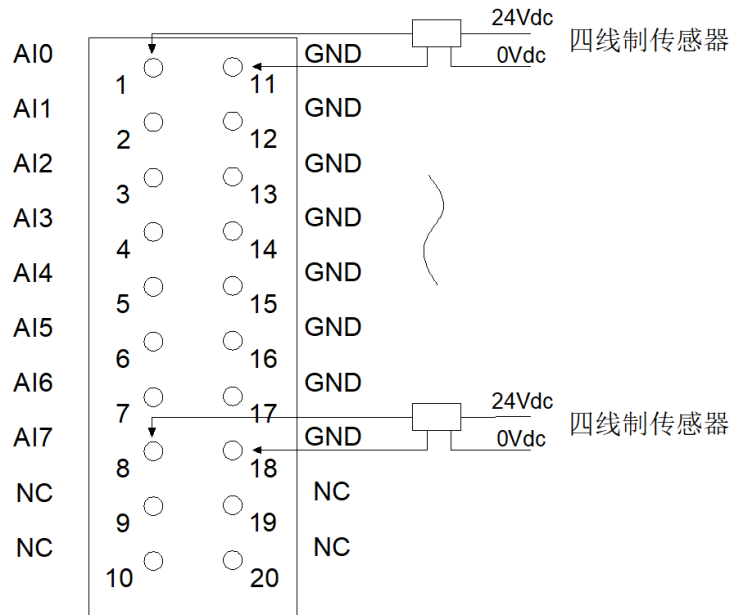
Description	Terminal Number	Symbol	Symbol	Terminal Number	Description
Signal input	1	AI0	GND	11	Signal input
	2	AI1	GND	12	
	3	AI2	GND	13	
	4	AI3	GND	14	
	5	AI4	GND	15	
	6	AI5	GND	16	
	7	AI6	GND	17	
	8	AI7	GND	18	
N/A	9	NC	NC	19	N/A
	10	NC	NC	20	

It is recommended to use cables with cores smaller than 1mm ?

The cold-pressed terminal parameters are as follows:



4 Wiring



5 Process data definition

Input data								
Bit No	Bit 7	Bit 6	Bit 5	Bit 4	Bit 3	Bit 2	Bit 1	Bit 0
Byte 0	Analog Input Data (CH 0)							
Byte 1								
Byte 2	Analog Input Data (CH 1)							
Byte 3								
Byte 4	Analog Input Data (CH 2)							
Byte 5								
Byte 6	Analog Input Data (CH 3)							
Byte 7								
Byte 8	Analog Input Data (CH 4)							
Byte 9								
Byte 10	Analog Input Data (CH 5)							
Byte 11								
Byte 12	Analog Input Data (CH 6)							
Byte 13								
Byte 14	Analog Input Data (CH 7)							
Byte 15								

Data declaration:

Analog Input Data (CH0-7): Voltage input data value

Process data definition (8AI)					
Voltage (0-5V)	Voltage (0-10V)	Voltage ($\pm 5V$)	Voltage ($\pm 10V$)	Decimal	Hex
5	10	5	10	4095	0x0FFF
.
.
2.5	5	2.5	5	2047	0x07FF
.
.
0	0	0	0	0	0x0000
/	/
/	/
/	/	-2.5	-5	-2047	0xF801
/	/
/	/
/	/	-5	-10	-4095	0xF001

6 Configuration parameters definition

Configuration Parameters								
Bit No	Bit 7	Bit 6	Bit 5	Bit 4	Bit 3	Bit 2	Bit 1	Bit 0
Byte 0	Reserved							16Bit Data Format
Byte 1	Voltage Type (CH 3)		Voltage Type (CH 2)		Voltage Type (CH 1)		Voltage Type (CH 0)	
Byte 2	Voltage Type (CH 7)		Voltage Type (CH 6)		Voltage Type (CH 5)		Voltage Type (CH 4)	
Byte 3	Filtering Time (CH0)							
Byte 4								
Byte 5	Filtering Time (CH1)							
Byte 6								
Byte 7	Filtering Time (CH2)							
Byte 8								
Byte 9	Filtering Time (CH3)							
Byte 10								
Byte 11	Filtering Time (CH4)							
Byte 12								

Byte 13	Filtering Time (CH5)
Byte 14	
Byte 15	Filtering Time (CH6)
Byte 16	
Byte 17	Filtering Time (CH7)
Byte 18	

Data Declaration:

16Bit Data Format: Sequence of 16-bit data byte transmission (Default:0)

0: A_B。

1: B_A。

Voltage Type(CH 0-7): Input voltage type (Default:2)

0: 0~5Vdc。

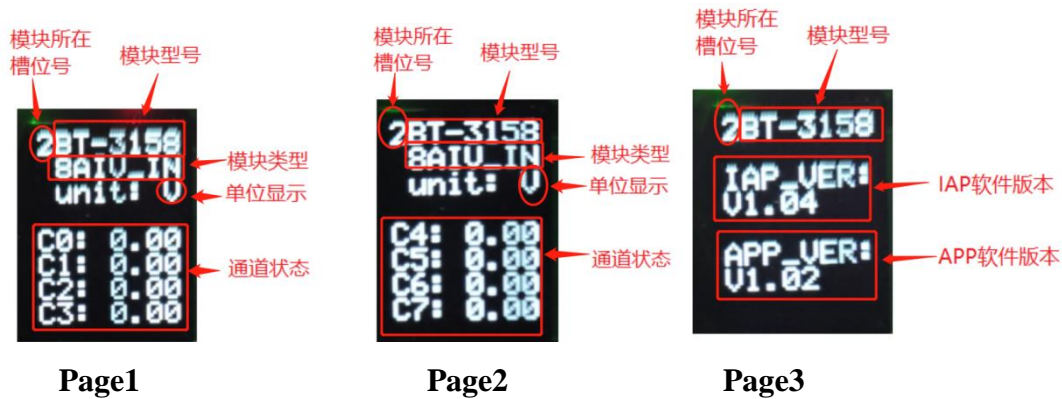
1: -5~5Vdc。

2: 0~10Vdc。

3: -10~10Vdc

Filtering Time(CH0-CH7): The input filtering time of the channel, unit ms。(default value: 10)

7 LCD display interface



Note: The module information display is 3 pages in total, the first number on the first row of each page indicates the slot location of the module, the module model is displayed behind, the first and second pages mainly display channel status, information tips, and module type information, the third page mainly displays software version information.

Page 1 and 2: channel status and module type information

1. Row 2 shows the type of module;
2. Row 3 shows the units of voltage;
3. Row 5 to row 8 on pages 1 and 2 show values for the voltage acquisition size.
4. If the COMM board is connected with the master first and then disconnected (the disconnected time exceeds the watchdog time), and voltage display row will be displayed as:

__fault__

Page 3: Display software version information

Row 1 displays the slot number (**2**) of the module and the module model name (**BT-3158**).

Row 3 and 4 display the IAP version information for the module (**V1.04**)

Row 6 and 4 display the APP version information for this module (**V1.02**)

BT-3238: 8 channels / current input /0&4-20mA, 15-bits, single ended

1 Module features

- ◆ the module supports 8-channel current signal acquisition.
- ◆ the module can be configured for 0-20mA or 4-20mA current signal acquisition.
- ◆ the module supports 2-wire (non-loop output, external power supply is required) or 4-wire current sensor input.
- ◆ the internal bus of the module and field input adopts magnetic insulation.
- ◆ the module input channel could be connected to the field active analog signal current output sensor.
- ◆ the module channel equips with TVS overvoltage protection.
- ◆ the module supports separately disabling specific channels to improve the acquisition speed.
- ◆ the module supports LCD display of basic module information and channel indicator display parameters.

2 Technical parameters

General Parameters	
Power	Max.65mA@5.0Vdc
Isolation	I/O to internal bus: magnetic isolation (2.5KVrms) Power isolation: DC-DC
Wiring	I/O wiring: Max.1mm ² (AWG 18)
Environment Specification	
Operational Temperature	-40~85°C
Operational Humidity	5%-95% (No Condensation)
Protection Class	IP20
Input parameters	
Channel Number	8 channels
Input range	0~20mA, 4~20mA

Resolution ratio	15 Bits
Acquisition precision	±0.3% full range, @25°C
	±0.5% full range, @-20~70°C
Sampling Resistance	100Ω
Sampling rate	35ms/8 channels
Data format	16-bit signed integer

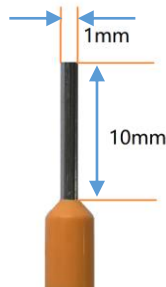
3 Terminal definition

Module wiring adopts 20Pin 3.5mm spacing spring wiring terminals, which are defined as follows:

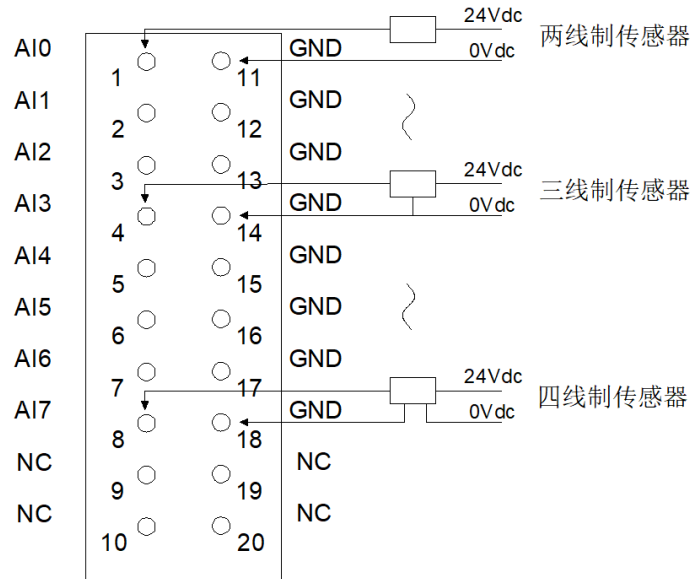
Description	Terminal Number	Symbol	Symbol	Terminal Number	Description
Signal input	1	AI0	GND	11	Signal input
	2	AI1	GND	12	
	3	AI2	GND	13	
	4	AI3	GND	14	
	5	AI4	GND	15	
	6	AI5	GND	16	
	7	AI6	GND	17	
	8	AI7	GND	18	
N/A	9	NC	NC	19	N/A
	10	NC	NC	20	

It is recommended to use cables with cores smaller than 1mm ?

The cold-pressed terminal parameters are as follows:



4 Wiring



5 Process data definition

Input Data								
Bit No	Bit 7	Bit 6	Bit 5	Bit 4	Bit 3	Bit 2	Bit 1	Bit 0
Byte 0	Analog Input Data (CH 0)							
Byte 1								
Byte 2	Analog Input Data (CH 1)							
Byte 3								
Byte 4	Analog Input Data (CH 2)							
Byte 5								
Byte 6	Analog Input Data (CH 3)							
Byte 7								
Byte 8	Analog Input Data (CH 4)							
Byte 9								
Byte 10	Analog Input Data (CH 5)							
Byte 11								
Byte 12	Analog Input Data (CH 6)							
Byte 13								
Byte 14	Analog Input Data (CH 7)							
Byte 15								

Data description:

Analog Input Data (CH0-7): Analog signal Input value of corresponding channel.

Analog Input Data (BT-3238)				
Current (0-20mA)	Current (4-20mA)	Decimal	Hexadecimal	Range
>23.52 mA	>22.81 mA	32767	7FFF	Overflow
23.52 mA	22.81 mA	32511	7EFF	Exceed the range
		27649	6C01	
20 mA	20 mA	27648	6C00	Rated range
.	.	.	.	
15 mA	16 mA	20736	5100	
.	.	.	.	
723.4 nA	4Ma+578.7nA	1	1	
0 mA	4 mA	0	0	Below the range
		-1	FFFF	
-3.52 mA	1.185 mA	-4864	ED00	
<-3.52 mA	<1.185 mA	-32768	8000	Underflow

Note: Disabling channel process data uploading value is -32767.

6 Configuration parameter definition

Configuration parameters								
Bit No	Bit 7	Bit 6	Bit 5	Bit 4	Bit 3	Bit 2	Bit 1	Bit 0
Byte 0	Reserved							16Bit Data Format
Byte 1	Current Type Ch#3		Current Type Ch#2		Current Type Ch#1		Current Type Ch#0	
Byte 2	Current Type Ch#7		Current Type Ch#6		Current Type Ch#5		Current Type Ch#4	

Data description:

16Bit Data Format: Analog data storage format. (default: 0)

0: A-B

1: B-A

Current Type Ch#(0-7): Type of input signal. (default: 1)

0: NONE (disabling channel)

1: 0-20mA

2: 4-20mA

7 LCD display interface



Page1

Page2

Page3

Note: The module information display is 3 pages in total, the first number on the first row of each page indicates the slot location of the module, the module model is displayed behind, the first and second pages mainly display channel status, information tips, and module type information, the third page mainly displays software version information.

Page 1 and 2: channel status and module type information

1. Row 2 shows the type of module;
2. Row 3 shows the units of current;
3. The channel is displayed as the collected current magnitude. If the collected current magnitude is not in the corresponding range, and when it occurs overflows and underflows, then the current will be displayed as:

"Over"

4. When the channel is disabled, the channel display will be changed from original current into

"None".

5. If the COMM board is connected with the master first and then disconnected (the disconnected time exceeds the watchdog time), current display row will be displayed as:

__fault__

Page 3: Display software version information.

Row 1 displays the slot number (**1**) of the module and the module model name (**BT-3238**).

Row 3 and 4 display the IAP version information for the module (**V1.04**)

Row 6 and 4 display the APP version information for this module (**V1.04**)

BT-3244: 4 channels / current input / 0-20mA, ±20mA, 15 bits, Single-ended bipolar

1 Module features

- ◆ the module supports 4-channel current signal acquisition.
- ◆ the module can be configured for 0-20mA, 4-20mA and ±20mA current signal acquisition.
- ◆ the module supports 2-wire (non-loop output, external power supply is required) current sensor input.
- ◆ the internal bus of the module and field input adopts magnetic insulation.
- ◆ the module input channel could be connected to the field active analog signal current output sensor.
- ◆ the module channel equips with TVS overvoltage protection.
- ◆ the module supports separately disabling specific channels to improve the acquisition speed.
- ◆ the module supports LCD display of basic module information and channel indicator display parameters.

2 Technical parameters

General Parameters	
Power	Max.65mA@5.0Vdc
Isolation	I/O to internal bus: magnetic isolation (2.5KVrms) Power isolation: DC-DC
Wiring	I/O wiring: Max.1mm ² (AWG 18)
Installation	35mm DIN-Rail
Environment Specification	
Operational Temperature	-40~85°C
Operational Humidity	5%-95% (No Condensation)
Protection Class	IP20
Input parameters	
Channel	4 channels

Number	
Input range	0~20mA, 4~20mA and ± 20 mA
Resolution ratio	15 Bits
Acquisition precision	$\pm 0.3\%$ full range, @25°C
	$\pm 0.5\%$ full range, @-20~70°C
Sampling Resistance	100Ω
Sampling rate	17ms/4 channels
Data format	16-bit signed integer

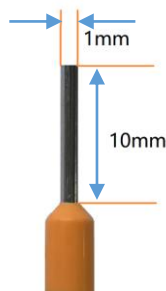
3 Terminal definition

Module wiring adopts 20Pin 3.5mm spacing spring wiring terminals, which are defined as follows:

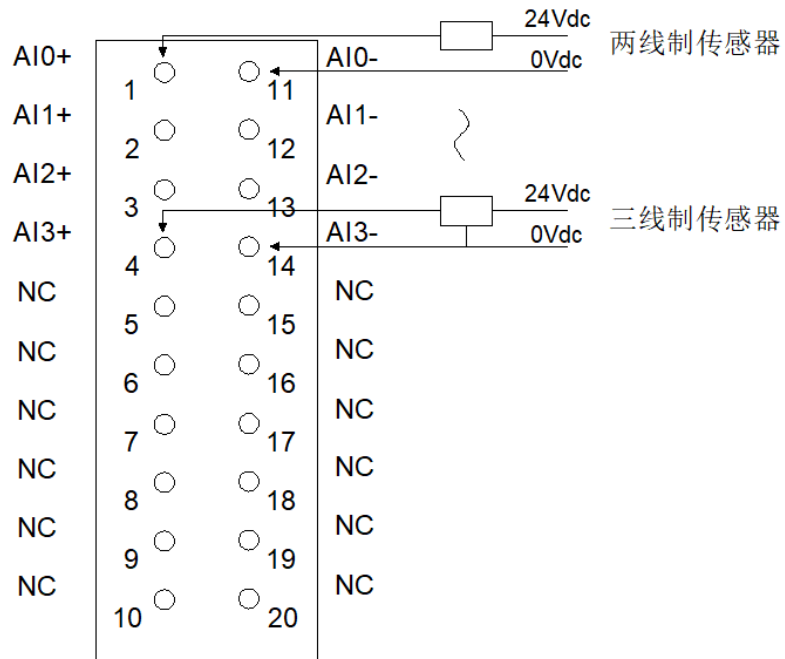
Description	Terminal Number	Symbol	Symbol	Terminal Number	Description
Signal input	1	AI0+	AI0-	11	Signal input
	2	AI1+	AI1-	12	
	3	AI2+	AI2-	13	
	4	AI3+	AI3-	14	
N/A	5	NC	NC	15	N/A
	6	NC	NC	16	
	7	NC	NC	17	
	8	NC	NC	18	
	9	NC	NC	19	
	10	NC	NC	20	

It is recommended to use cables with cores smaller than 1mm ?

The cold-pressed terminal parameters are as follows:



4 Wiring



5 Process data definition

Input Data								
Bit No	Bit 7	Bit 6	Bit 5	Bit 4	Bit 3	Bit 2	Bit 1	Bit 0
Byte 0	Analog Input Data (CH 0)							
Byte 1								
Byte 2	Analog Input Data (CH 1)							
Byte 3								
Byte 4	Analog Input Data (CH 2)							
Byte 5								
Byte 6	Analog Input Data (CH 3)							
Byte 7								

Data description:

Analog Input Data (CH0-3): Analog signal Input value of corresponding channel.

Analog Input Data(BT-3244) (±20mA)

Current (±20mA)	Decimal	Hexadecima	Range
>23.52 mA	32767	7FFF	Overflow
23.52 mA	32511	7EFF	Exceed the range
	27649	6C01	
20 mA	27648	6C00	Rated range
15 mA	20736	5100	
723.4 nA	1	1	
0 mA	0	0	
	-1	FFFF	

-15 mA	-20736	AF00	
-20 mA	-27648	9400	
	-27649	93FF	
-23.52 mA	-32512	8100	Below the range
<-23.52 mA	-32768	8000	Underflow

Note: Disabling channel process data uploading value is -32767.

Analog Input Data (BT-3244) (0-20mA/4-20mA)				
Current (0-20mA)	Current (4-20mA)	Decimal	Hexadecimal	Range
>23.52 mA	>22.81 mA	32767	7FFF	Overflow
23.52 mA	22.81 mA	32511	7EFF	Exceed the range
		27649	6C01	
20 mA	20 mA	27648	6C00	Rated range
15 mA	16 mA	20736	5100	
723.4 nA	4mA+578.7nA	1	1	
0 mA	4 mA	0	0	
		-1	FFFF	Below the range
-3.52 mA	1.185 mA	-4864	ED00	
<-3.52 mA	<1.185 mA	-32768	8000	Underflow

Note: Disabling channel process data uploading value is -32767.

6 Configuration parameter definition

Configuration parameters								
Bit No	Bit 7	Bit 6	Bit 5	Bit 4	Bit 3	Bit 2	Bit 1	Bit 0
Byte 0	Reserved							16Bit Data Format
Byte 1	Current Type Ch#3		Current Type Ch#2		Current Type Ch#1		Current Type Ch#0	

Data description:

16Bit Data Format: Analog data storage format. (default: 0)

0: A-B

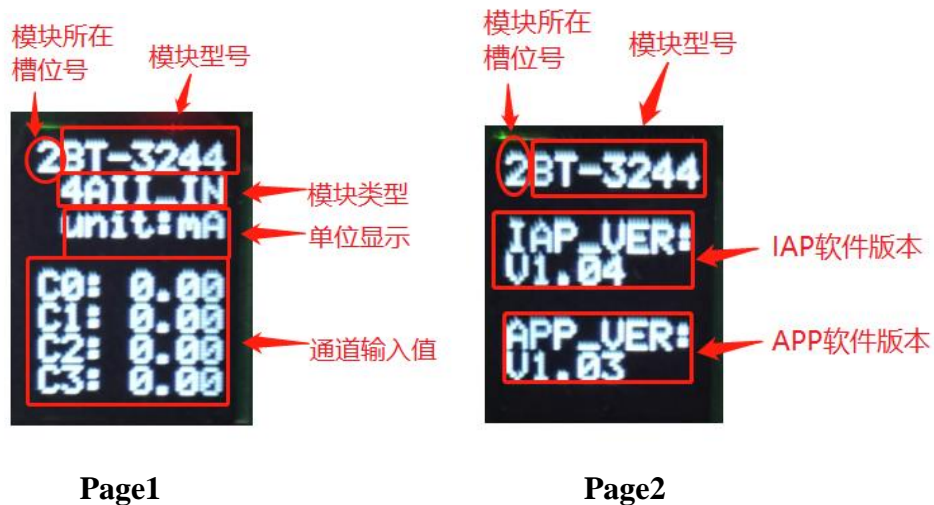
1: B-A

Current Type Ch#(0-7): Type of input signal. (default: 1)

0: NONE (disabling channel)

- 1: 0-20mA
- 2: 4-20mA
- 3: -20-20mA

7 LCD display interface



Note: The module information display is 2 pages in total, the first number on the first row of each page indicates the slot location of the module, the module model is displayed behind, the first page mainly displays channel status, information tips, and module type information, the second page mainly displays software version information.

Page 1: channel status and module type information

1. Row 2 shows the type of module;
 2. Row 3 shows the units of current;
 3. From row 5 to row 8, the channels are displayed as the collected current magnitude.
- If the collected current magnitude is not in the corresponding range, and when it occurs overflows and underflows, then the current will be displayed as:

"Over"

4. When the channel is disabled, the channel display will be changed from original current into

"None".

5. If the COMM board is connected with the master first and then disconnected (the disconnected time exceeds the watchdog time), **current** display row will be displayed as:

__fault__

Page 2: Display software version information.

Row 1 displays the slot number (**2**) of the module and the module model name (**BT-3244**).

Row 3 and 4 display the IAP version information for the module (**V1.04**)

Row 6 and 4 display the APP version information for this module (**V1.03**)

BT-3714: 4 channels / RTD input / PT100 / 15bits / Temperature acquisition module

1 Module features

- ◆ the module supports 4-channel RTD thermal resistance (PT100) temperature acquisition.
- ◆ the module could be connected to a 2-wire or 3-wire PT100 temperature sensor.
- ◆ the internal bus of the module and field input adopts magnetic isolation.
- ◆ 15-bit ADC resolution ratio.
- ◆ the module supports separately disabling specific channels to improve the acquisition speed.
- ◆ the module supports LCD display of basic module information and channel indicator display parameters.

2 Technical parameters

General Parameters	
Power	Max.35mA@5.0Vdc
Isolation	I/O to internal bus: magnetic isolation (2.5KVrms)
Wiring	I/O wiring: Max.1mm ² (AWG 18)
Environment Specification	
Operational Temperature	-40~85°C
Operational Humidity	5%~95% RH (No Condensation)
Protection Class	IP20
Input parameters	
Channel Number	4 channels
Resolution Ratio	15 Bit
Sensor Type	PT100
Measurement Range	-240~880°C
Measurement Accuracy	0.5°C
Switching Rate	320ms/4 channels
Data format	16-bit signed integer
Diagnostic Function	-32767: channel disabling

	32766: open circuit, disconnection (or no sensor is connected) -32766: short-circuit condition 32767: temperature overflowing -32768: temperature underflowing
--	---

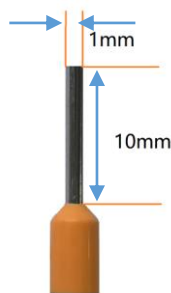
3 Terminal definition

Module wiring adopts 20Pin 3.5mm spacing spring wiring terminals, which are defined as follows:

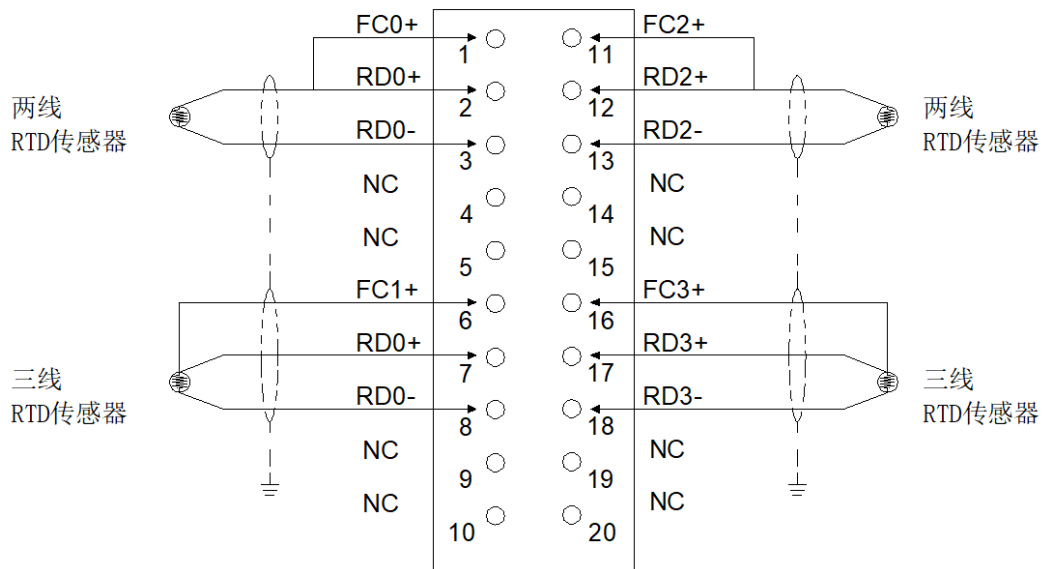
Description	Terminal Number	Symbol	Symbol	Terminal Number	Description
Signal input	1	FC0+	FC2+	11	Signal input
	2	RD0+	RD2+	12	
	3	RD0-	RD2-	13	
N/A	4	NC	NC	14	N/A
	5	NC	NC	15	
Signal input	6	FC1+	FC3+	16	Signal input
	7	RD1+	RD3+	17	
	8	RD1-	RD3-	18	
N/A	9	NC	NC	19	N/A
	10	NC	NC	20	

It is recommended to use cables with cores smaller than 1mm ?

The cold-pressed terminal parameters are as follows:



4 Wiring



5 Process data definition

Input Data								
Bit No	Bit 7	Bit 6	Bit 5	Bit 4	Bit 3	Bit 2	Bit 1	Bit 0
Byte 0	Analog Input Data (CH 0)							
Byte 1								
Byte 2	Analog Input Data (CH 1)							
Byte 3								
Byte 4	Analog Input Data (CH 2)							
Byte 5								
Byte 6	Analog Input Data (CH 3)							
Byte 7								

Data Declaration:

Analog Input Data (CH0-3): Analog channel input data values.

Process Data Definition			
Temperature	Decimal	Hex	Location
>880.0	32767	7FFF	Overflow
880.0	8800	2260	Exceeds the upper limit
.	.	.	
.	.	.	
850.1	8501	2135	
850.0	8500	2134	Rated range
.	.	.	
.	.	.	
-200.0	-2000	F830	
-200.1	-2001	F82F	Exceeds the lower limit
.	.	.	
.	.	.	
-240.0	-2400	F6A0	
<-240.0	-32768	8000	Underflow

Note: The upload process data is 32766 when the module is not connected with the sensor or offline. And the upload process data is -32367 when the channel is disabled, while the upload process data is -32766 when the sensor is short-circuited.

6 Configuration parameters definition

Configuration Parameter								
Bit No	Bit 7	Bit 6	Bit 5	Bit 4	Bit 3	Bit 2	Bit 1	Bit 0
Byte 0	Reserved	CH3_Ena ble	CH2_Ena ble	CH1_Ena ble	CH0_Ena ble	Temperature_Unit		16Bit Data Format

Data Declaration:

16Bit Data Format: Sequence of 16-bit data byte transmission (default: 0)

0: A_B

1: B_A

Temperature_Unit: Thermal resistance temperature unit (default :0)

0: Temp_Unit_C (Degrees Celsius)

1: Temp_Unit_F (Fahrenheit Degree)

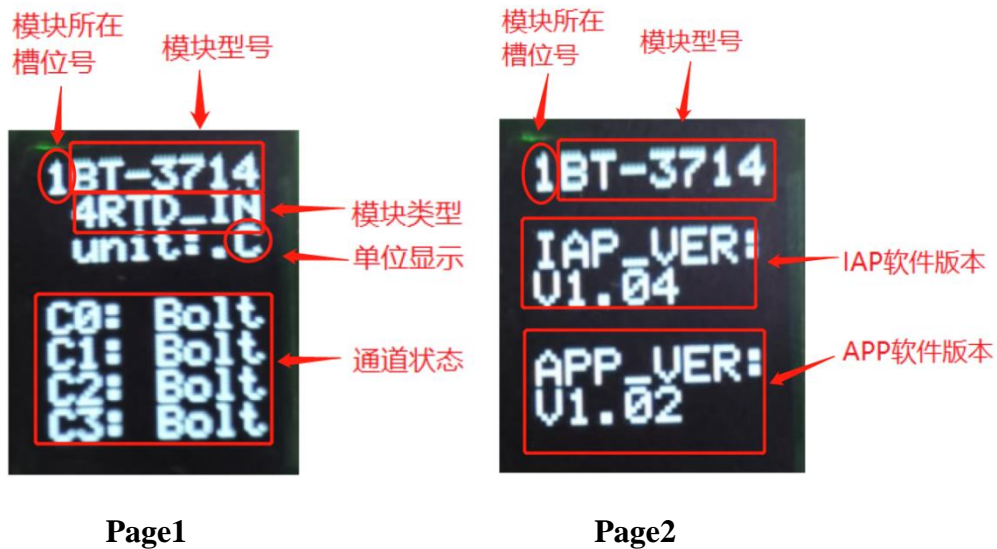
2: Temp_Unit_K (Kelvin Degree)

CH_Enable: Thermal resistance temperature unit (default :1)

0: Disable (channel disabling)

1: Enable (channel enabling)

7 LCD display interface



Note: The module information display is 2 pages in total, the first number on the first row of each page indicates the slot location of the module, the module model is displayed behind, the first page mainly displays channel status, information tips, and module type information, the second page mainly displays software version information.

Page 1: channel status and module type information

1. Row 2 shows the type of module;
2. Row 3 shows the units of temperature;
3. From row 5 to row 8, the channels are displayed as the temperature values of the 4 channels. When a Short circuit occurs in a certain channel, it will be displayed as **"Short"**; when the sensor is not connected, it will be displayed as **"Bolt"**; when the temperature overflows or underflows, it will be displayed as **"Over"**.
4. When the channel is disabled, the channel display will be changed from original current into **"None"**.
5. If the COMM board is connected with the master first and then disconnected (the disconnected time exceeds the watchdog time), temperature value display row will be displayed as:

__fault__

Page 2: Display software version information.

Row 1 displays the slot number (**1**) of the module and the module model name (**BT-3714**).

Row 3 and 4 display the IAP version information for the module (**V1.04**)

Row 6 and 4 display the APP version information for this module (**V1.02**)

BT-3724: 4 channels / RTD input / PT1000 / 15bits / Temperature acquisition module

1 Module features

- ◆ the module supports 4-channel RTD thermal resistance (PT1000) temperature acquisition.
- ◆ the module could be connected to a 2-wire or 3-wire PT1000 temperature sensor.
- ◆ the internal bus of the module and field input adopts magnetic isolation.
- ◆ 15-bit ADC resolution ratio.
- ◆ the module supports separately disabling specific channels to improve the acquisition speed.
- ◆ the module supports LCD display of basic module information and channel indicator display parameters.

2 Technical parameters

General Parameters	
Power	Max.35mA@5.0Vdc
Isolation	I/O to internal bus: magnetic isolation (2.5KVrms)
Wiring	I/O wiring: Max.1mm ² (AWG 18)
Environment Specification	
Operational Temperature	-40~85°C
Operational Humidity	5%~95% RH (No Condensation)
Protection Class	IP20
Input parameters	
Channel Number	4 channels
Resolution Ratio	15 Bits
Sensor Type	PT1000
Measurement Range	-240~880°C
Measurement Accuracy	0.5°C
Switching Rate	320ms/4 channels
Diagnostic Function	-32767: channel disabling 32766: open circuit, disconnection (or no sensor is connected)

	-32766: short-circuit condition 32767: temperature overflowing -32768: temperature underflowing
--	---

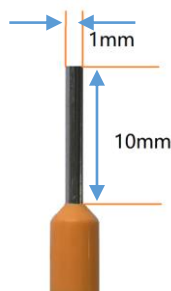
3 Terminal definition

Module wiring adopts 20Pin 3.5mm spacing spring wiring terminals, which are defined as follows:

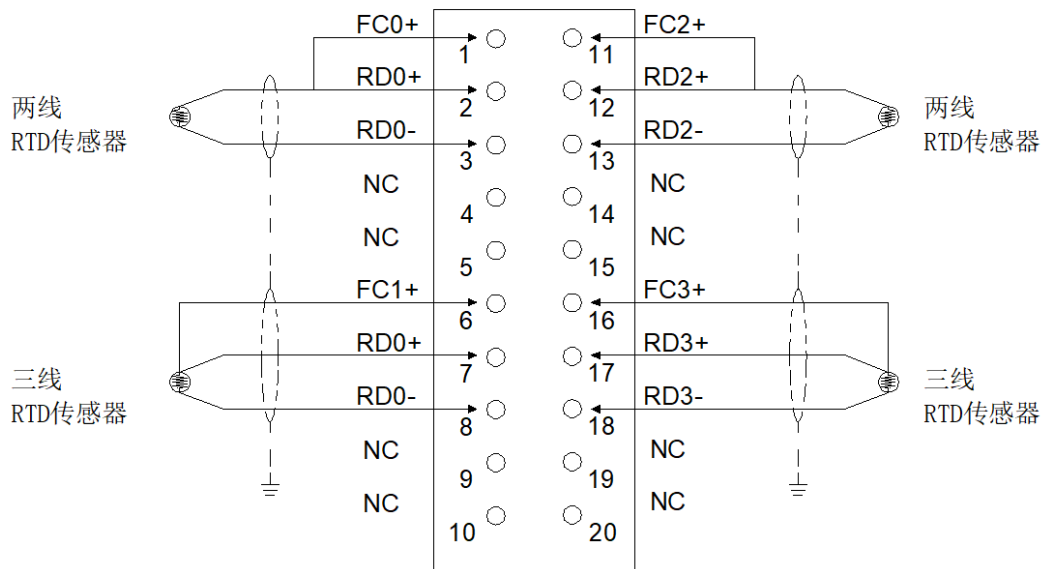
Description	Terminal Number	Symbol	Symbol	Terminal Number	Description
Signal input	1	FC0+	FC2+	11	Signal input
	2	RD0+	RD2+	12	
	3	RD0-	RD2-	13	
N/A	4	NC	NC	14	N/A
	5	NC	NC	15	
Signal input	6	FC1+	FC3+	16	Signal input
	7	RD1+	RD3+	17	
	8	RD1-	RD3-	18	
N/A	9	NC	NC	19	N/A
	10	NC	NC	20	

It is recommended to use cables with cores smaller than 1mm ?

The cold-pressed terminal parameters are as follows:



4 Wiring



5 Process data definition

Input Data								
Bit No	Bit 7	Bit 6	Bit 5	Bit 4	Bit 3	Bit 2	Bit 1	Bit 0
Byte 0	Analog Input Data (CH 0)							
Byte 1								
Byte 2	Analog Input Data (CH 1)							
Byte 3								
Byte 4	Analog Input Data (CH 2)							
Byte 5								
Byte 6	Analog Input Data (CH 3)							
Byte 7								

Data Declaration:

Analog Input Data (CH0-3): Analog channel input data values.

Process Data Definition			
Temperature	Decimal	Hex	Location
>880.0	32767	7FFF	Overflow
880.0	8800	2260	Exceeds the upper limit
.	.	.	
.	.	.	
850.1	8501	2135	
850.0	8500	2134	Rated range
.	.	.	
.	.	.	
-200.0	-2000	F830	
-200.1	-2001	F82F	Exceeds the lower limit
.	.	.	
.	.	.	
-240.0	-2400	F6A0	
<-240.0	-32768	8000	Underflow

Note: The upload process data is 32766 when the module is not connected with the sensor or offline. And the upload process data is -32367 when the channel is disabled, while the upload process data is -32766 when the sensor is short-circuited.

6 Configuration parameters definition

Configuration Parameter								
Bit No	Bit 7	Bit 6	Bit 5	Bit 4	Bit 3	Bit 2	Bit 1	Bit 0
Byte 0	Reserved	CH3_Ena ble	CH2_Ena ble	CH1_Ena ble	CH0_Ena ble	Temperature_Unit		16Bit Data Format

Data Declaration:

16Bit Data Format: Sequence of 16-bit data byte transmission (default: 0)

0: A_B

1: B_A

Temperature_Unit: Thermal resistance temperature unit (default :0)

0: Temp_Unit_C (Degrees Celsius)

1: Temp_Unit_F (Fahrenheit Degree)

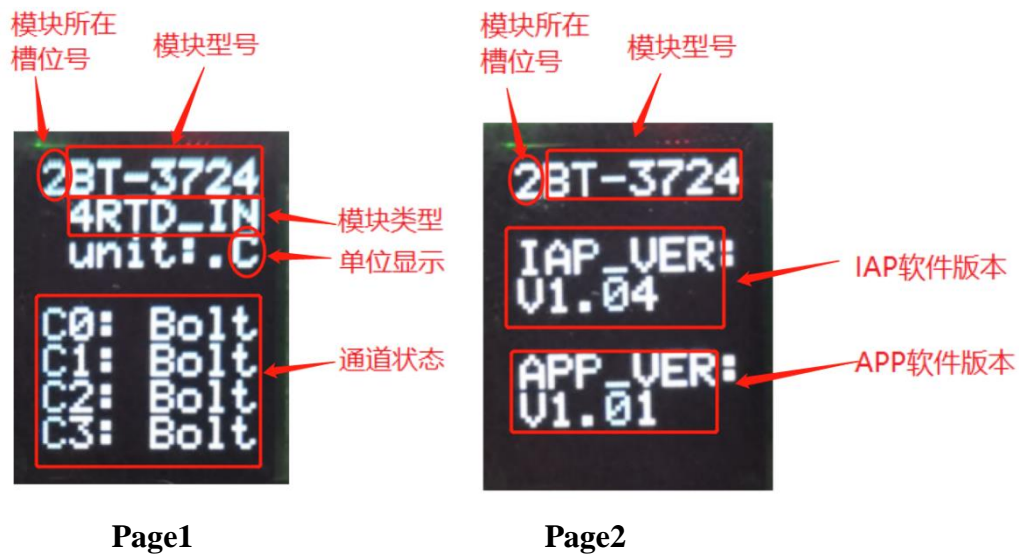
2: Temp_Unit_K (Kelvin Degree)

CH_Enable: Thermal resistance temperature unit (default :1)

0: Disable (channel disabling)

1: Enable (channel enabling)

7 LCD display interface



Note: The module information display is 2 pages in total, the first number on the first row of each page indicates the slot location of the module, the module model is displayed behind, the first page mainly displays channel status, information tips, and module type information, the second page mainly displays software version information.

Page 1: channel status and module type information

1. Row 2 shows the type of module;
2. Row 3 shows the units of temperature;
3. From row 5 to row 8, the channels are displayed as the temperature values of the 4 channels. When a Short circuit occurs in a certain channel, it will be displayed as **"Short"**; when the sensor is not connected, it will be displayed as **"Bolt"**; when the temperature overflows or underflows, it will be displayed as **"Over"**.
4. When the channel is disabled, the channel display will be changed from original current into **"None"**.
5. If the COMM board is connected with the master first and then disconnected (the disconnected time exceeds the watchdog time), temperature value display row will be displayed as:

__fault__

Page 2: Display software version information.

Row 1 displays the slot number (**2**) of the module and the module model name (**BT-3724**).

Row 3 and 4 display the IAP version information for the module (**V1.04**)

Row 6 and 4 display the APP version information for this module (**V1.01**)

BT-3804: 4 channels analog input / TC / 24bits / Thermocouple temperature acquisition module

1 Module features

- ◆ the module supports 4-channel thermocouple signal acquisition.
- ◆ the module supports 9 kinds of conventional thermocouple temperature measurement type.
- ◆ the internal bus of the module and field input adopts magnetic isolation.
- ◆ The module input channel supports TVS overvoltage protection.
- ◆ 24-bit ADC resolution (Σ - δ type).
- ◆ the module supports separately disabling specific channels to improve the acquisition speed.
- ◆ the module supports LCD display of basic module information and channel indicator display parameters.

2 Technical parameters

General Parameters		
Power	Max.50mA@5.0Vdc	
Isolation	I/O to internal bus: magnetic isolation (2.5KVrms)	
Wiring	I/O wiring; Max.1mm ² (AWG 18)	
Environment Specification		
Operational Temperature	-40~85°C	
Operational Humidity	5%~95% RH (No Condensation)	
Protection Class	IP20	
Input parameters		
Channel Number	4 Channels	
Sensor Type	J / K / E / T / S / R / B / N / C type thermocouples	
Acquisition Accuracy	±0.3% Full Scale, @25°C ±0.5% Full Scale, @-40~85°C	
Sampling Rate	70ms/4 channels	
Measuring Range °C	J Type	-210~1200°C
	K Type	-270~1370°C
	E Type	-270~1000°C
	T Type	-270~400°C
	S Type	-50~1760°C
	R Type	-50~1760°C
	B Type	0~1820°C
	N Type	-270~1300°C
	C Type	0~2320°C
Data Format	16-Bit Signed Integer (Integer)	
Diagnostic Function	-32767: No thermocouple model selected (that is, the channel is disabled) 32766: open circuit disconnection 32767: Temperature overflow -32768: Temperature underflow	

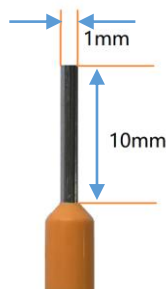
3 Terminal definition

Module wiring adopts 20Pin 3.5mm spacing spring wiring terminals, which are defined as follows:

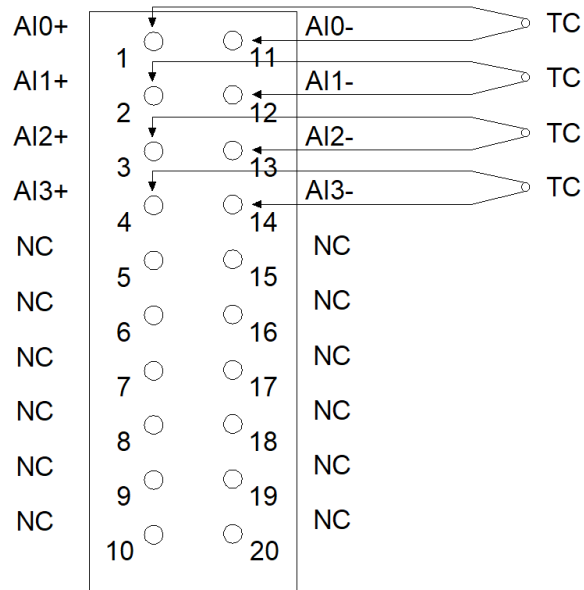
Description	Terminal Number	Symbol	Symbol	Terminal Number	Description
Signal input	1	AI0	GND	11	Signal input
	2	AI1	GND	12	
	3	AI2	GND	13	
	4	AI3	GND	14	
N/A	5	NC	NC	15	N/A
	6	NC	NC	16	
	7	NC	NC	17	
	8	NC	NC	18	
	9	NC	NC	19	
	10	NC	NC	20	

It is recommended to use cables with cores smaller than 1mm²

The cold-pressed terminal parameters are as follows:



4 Wiring



5 Process data definition

Input Data								
Bit No	Bit 7	Bit 6	Bit 5	Bit 4	Bit 3	Bit 2	Bit 1	Bit 0
Byte 0	Analog Input Data(CH 0)							
Byte 1								
Byte 2	Analog Input Data(CH 1)							
Byte 3								
Byte 4	Analog Input Data(CH 2)							
Byte 5								
Byte 6	Analog Input Data(CH 3)							
Byte 7								

Data Declaration:

Analog Input Data (CH0-3): The current temperature acquisition value of the corresponding channel

Process Data Definition - J Type			
Temperature	Decimal	Hex	Location
>1360.0	32767	7FFF	Overflow
1360.0	13600	3520	Exceeds the upper limit
.	.	.	
.	.	.	
1200.1	12001	2EE1	Rated range
1200.0	12000	2EE0	
.	.	.	
.	.	.	
-210.0	-2100	F7CC	Underflow
<-210.0	-32768	8000	

Process Data Definition - K Type			
Temperature	Decimal	Hex	Location
>1622.0	32767	7FFF	Overflow
1622.0	16220	3F5C	Exceeds the upper limit
.	.	.	
.	.	.	
1372.1	13721	3599	Rated range
1372.0	13720	3598	
.	.	.	
.	.	.	
-270.0	-2700	F574	Underflow
<-270.0	-32768	8000	

Process Data Definition – E Type			
Temperature	Decimal	Hex	Location
>1200.0	32767	7FFF	Overflow
1200.0	12000	2EE0	Exceeds the upper limit
.	.	.	
.	.	.	
1000.1	10001	2711	Rated range
1000.0	10000	2710	
.	.	.	
.	.	.	
-270.0	-2700	F574	Underflow
<-270.0	-32768	8000	

Process Data Definition –T Type			
Temperature	Decimal	Hex	Location
>540.0	32767	7FFF	Overflow
540.0	5400	1518	Exceeds the upper limit
.	.	.	
.	.	.	
400.1	4001	FA1	Rated range
400.0	4000	FA0	
.	.	.	
.	.	.	
-270.0	-2700	F574	Underflow
<-270.0	-32768	8000	

Process Data Definition –S Type			
Temperature	Decimal	Hex	Location
>1850.0	32767	7FFF	Overflow
1850.0	18500	4844	Exceeds the upper limit
.	.	.	
.	.	.	
1769.1	17691	451B	
1769.0	17690	451A	Rated range
.	.	.	
.	.	.	
-50.0	-500	FE0C	
-50.1	-501	FE0B	Exceeds the lower limit
.	.	.	
.	.	.	
-170.0	-1700	F95C	
<-170.0	-32768	8000	Underflow

Process Data Definition – R Type			
Temperature	Decimal	Hex	Location
>2019.0	32767	7FFF	Overflow
2019.0	20190	4EDE	Exceeds the upper limit
.	.	.	
.	.	.	
1769.1	17691	451B	
1769.0	17690	451A	Rated range
.	.	.	
.	.	.	
-50.0	-500	FE0C	
-50.1	-501	FE0B	Exceeds the lower limit
.	.	.	
.	.	.	
-170.0	-1700	F95C	
<-170.0	-32768	8000	Underflow

Process Data Definition - B Type			
Temperature	Decimal	Hex	Location
>2070.0	32767	7FFF	Overflow
2070.0	20700	50DC	Exceeds the upper limit
.	.	.	

.	.	.	
1820.1	18201	4719	
1820.0	18200	4718	Rated range
.	.	.	
.	.	.	
0.0	0		
<0.0	-32768	8000	Underflow

Process Data Definition – N Type			
Temperature	Decimal	Hex	Location
>1550.0	32767	7FFF	Overflow
1550.0	15500	3C8C	Exceeds the upper limit
.	.	.	
.	.	.	
1300.1	13001	32C9	Rated range
1300.0	13000	32C8	
.	.	.	
.	.	.	
-270.0	-2700	F574	Rated range
<-270.0	-32768	8000	

Process Data Definition – C Type			
Temperature	Decimal	Hex	Location
>2320.0	32767	7FFF	Overflow
2320.0	23200	5AA0	Rated range
.	.	.	
.	.	.	
0.0	0		
<0.0	-32768	8000	下 Underflow

Note: All thermocouples are fault upload values. The process data uploaded with the thermocouple type not selected status (that is, the channel is disabled) is -32767, the process data uploaded with the thermocouple not connected status is 32766, the process data uploaded with the temperature of overflowing status is 32767, and the process data uploaded with the temperature of underflowing status is -32768.

6 Configuration parameters definition

Configuration Parameter									
Bit No	Bit 7	Bit 6	Bit 5	Bit 4	Bit 3	Bit 2	Bit 1	Bit 0	
Byte 0	Reserved					Temperature_Unit		16Bit Data Format	
Byte 1	TC Input Type (CH 1)				TC Input Type (CH 0)				
Byte 1	TC Input Type (CH 3)				TC Input Type (CH 2)				

Data Declaration:

16Bit Data Format: Big-endian and little-endian format of data upload: (default: 0)

0: A_B

1: B_A

Temperature_Unit: Thermocouple temperature unit (default :0)

0: Temp_Unit_C (Degrees Celsius)

1: Temp_Unit_F (Fahrenheit Degree)

2: Temp_Unit_K (Kelvin Degree)

TC Input Type(CH 0-3): Sensor type of the channel: (default :0)

0: Channel is disabled

1: J Type

2: K Type

3: E Type

4: T Type

5: S Type

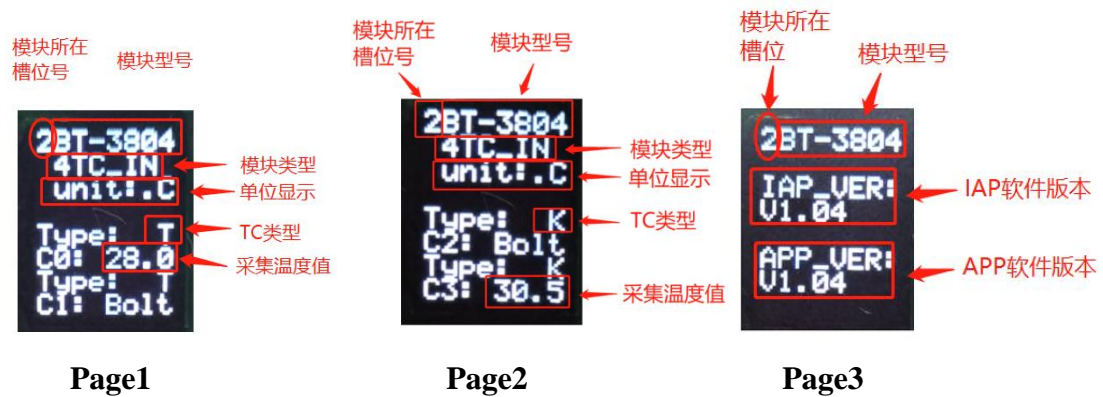
6: R Type

7: B Type

8: N Type

9: C Type

7 LCD display interface



Note: The module information display is 3 pages in total, the first number on the first row of each page indicates the slot location of the module, the module model is displayed behind, the first and second pages mainly display channel status, information tips, and module type information, the third page mainly displays software version information.

Page 1 and 2: channel status and module type information

1. Row 2 shows the type of module;
2. Row 3 shows the units of temperature;
3. Row 5 and row 7 show the thermocouple type, it will not be displayed if the thermocouple type is not selected;
4. Row 6 and row 8 show the magnitude of the temperature value.
5. When the temperature value channel displays **"Bolt"**, it indicates that the channel is not connected to the thermocouple, or the thermocouple is in open circuit status. When the channel displays **"None"**, it indicates that the thermocouple type is not selected for the channel (that is, the channel is disabled).
6. If the COMM board is connected with the master first and then disconnected (the disconnected time exceeds the watchdog time), temperature value display row will be displayed as:

__fault__

Page 3: Display software version information.

Row 1 displays the slot number (**2**) of the module and the module model name (**BT-3804**).

Row 3 and 4 display the IAP version information for the module (**V1.04**)

Row 6 and 4 display the APP version information for this module (**V1.04**)

BT-4154: 4 channels / Voltage Output

0~5VDC/0~10VDC/±5VDC/±10VDC,15 bits /16 bits

1 Module features

- ◆ the module supports 4 channels voltage signal output.
- ◆ output range: 0~5VDC/0~10VDC/±5VDC/±10VDC, 15bit/16bit resolution.
- ◆ module output signal is single - ended common - grounded output.
- ◆ the module supports the channel overcurrent and over temperature protection warning function to the corresponding channel.
- ◆ the module supports LCD display of basic module information and channel indicator display parameters.

2 Technical Parameters

General parameters	
Power	Max.160mA@5.0Vdc
Isolation	I/O to internal bus: magnetic isolation (3KVrms)
Wiring	I/O wiring: Max.1mm ² (AWG 18)
Environment Specification	
Operational Temperature	-40~85°C
Operational Humidity	5%~95% RH (No Condensation)
Protection Class	IP20
Output Parameter	
Channel Number	4 Channels voltage output
Output Voltage Range	0~5VDC, 0~10VDC, ±5VDC, ±10VDC
Load Resistance	Max.5kΩ
Resolution	15bits/16bits (the output mode is settable)
Acquisition Accuracy	±0.1% (Full Scale) @25°C ±0.3(Full Scale) @-40~85°C
Switching Rate	1ms/all channels
Diagnose	Overtemperature/overcurrent status monitoring
Protection Current	20mA.
Common Port	Common grounded output

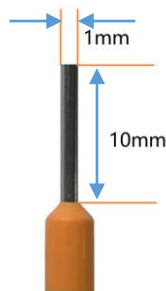
3 Terminal definition

Module wiring adopts 20Pin 3.5mm spacing spring wiring terminals, which are defined as follows:

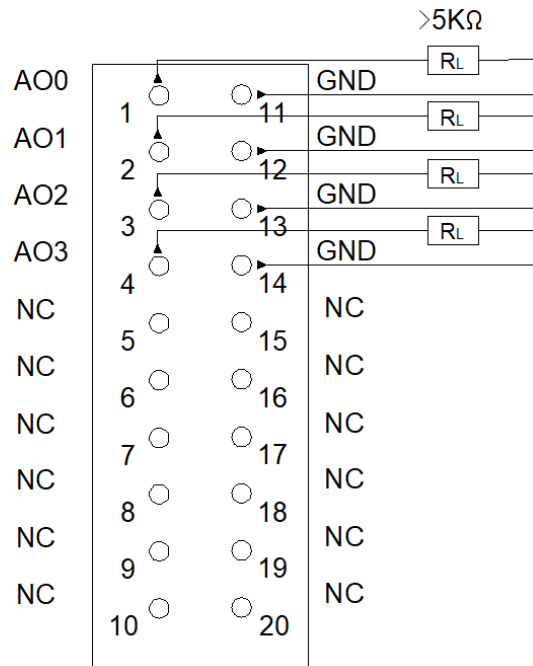
Description	Terminal Number	Symbol	Symbol	Terminal Number	Description
Signal output	1	AO0	GND	11	Signal output
	2	AO1	GND	12	
	3	AO2	GND	13	
	4	AO3	GND	14	
N/A	5	NC	NC	15	N/A
	6	NC	NC	16	
	7	NC	NC	17	
	8	NC	NC	18	
	9	NC	NC	19	
	10	NC	NC	20	

It is recommended to use cables with cores smaller than 1mm ?

The cold-pressed terminal parameters are as follows:



4 Wiring



5 Process data definition

Input Data								
Bit No	Bit 7	Bit 6	Bit 5	Bit 4	Bit 3	Bit 2	Bit 1	Bit 0
Byte 0	Reserved			Over temperature	Overcurrent (CH3)	Overcurrent (CH2)	Overcurrent (CH1)	Overcurrent (CH0)
Output Data								
Bit No	Bit 7	Bit 6	Bit 5	Bit 4	Bit 3	Bit 2	Bit 1	Bit 0
Byte 0	Analog Output Data (CH 0)							
Byte 1								
Byte 2	Analog Output Data (CH 1)							
Byte 3								
Byte 4	Analog Output Data (CH 2)							
Byte 5								
Byte 6	Analog Output Data (CH 3)							
Byte 7								

5.1 Process Data Definition (standard mode)

Data Declaration:

Analog Output Data (CH0-4): voltage output value

Unipolarity 0-5V/0-10V output value

Voltage (0-5V)	Voltage (0-10V)	Decimal	Hex
5	10	27648	0x6C00
.	.	.	.
.	.	.	.
2.5	5	13824	0x3600
.	.	.	.
.	.	.	.
0	0	0	0x0000

Bipolar $\pm 5V/\pm 10V$ Output value

Voltage ($\pm 5V$)	Voltage ($\pm 10V$)	Decimal	Hex
5	10	27648	0x6C00
.	.	.	.
.	.	.	.
2.5	5	13824	0x3600
.	.	.	.
.	.	.	.
0	0	0	0x0000
.	.	.	.
.	.	.	.
-2.5	-5	-13824	0xCA00
.	.	.	.
.	.	.	.
-5	-10	-27648	0x9400

5.2 Process Data Definition (special mode)

Data Declaration:

Analog Output Data (CH0-4): voltage output value

Unipolarity 0-5V/0-10V output value

Voltage (0-5V)	Voltage (0-10V)	Decimal	Hex
5	10	65535	0xFFFF
.	.	.	.
.	.	.	.
2.5	5	32767	0x7FFF
.	.	.	.
.	.	.	.
0	0	0	0x0000

Bipolar ±5V/±10V Output value

Voltage (±5V)	Voltage (±10V)	Decimal	Hex
5	10	32767	0x7FFF
.	.	.	.
.	.	.	.
2.5	5	16383	0x3FFF
.	.	.	.
.	.	.	.
0	0	0	0x0000
.	.	.	.
.	.	.	.
-2.5	-5	-16384	0xC000
.	.	.	.
.	.	.	.
-5	-10	-32768	0x8000

6 Configuration parameters definition

Configuration Parameter								
Bit No	Bit 7	Bit 6	Bit 5	Bit 4	Bit 3	Bit 2	Bit 1	Bit 0
Byte 0	Reserved						Range_Mode	16Bit Data Format
Byte 1	Voltage Type (CH 1)				Voltage Type (CH 0)			
Byte 2	Voltage Type (CH 3)				Voltage Type (CH 2)			

Data Declaration:

16Bit Data Format: 16 bits data byte transmission sequence (default value: A_B)

A_B: Big-endian format transmission

B_A: Little-endian format transmission

Range_Mode: Process data mode (default: standard mode)

Standard mode: same with Siemens process data definition

Special mode: max range of hardware

Voltage Type(CH 0-3): Output voltage type (default value: 0~10Vdc)

Disable: Output disabling

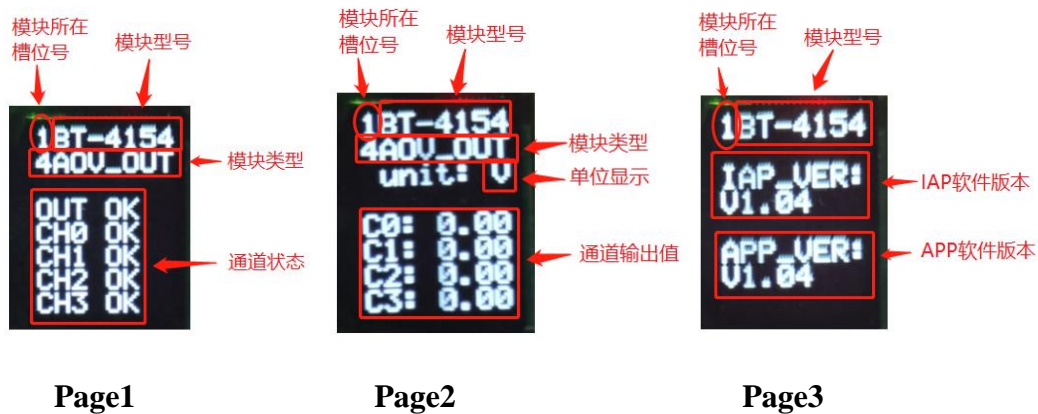
0~5Vdc: 0~5V Direct-current output

0~10Vdc: 0~10V Direct-current output

-5~5Vdc: -5~5V Direct-current output

-10~10Vdc: -10~10V Direct-current output

7 LCD display interface



Note: The module information display is 3 pages in total, the first number on the first row of each page indicates the slot location of the module, the module model is displayed behind, the first pages mainly display channel status, the second page mainly displays the current magnitude value of channel output, information tips, and module type information, the third page mainly displays software version information.

Page 1: channel status and module type information

1. Row 2 shows the type of module;
2. Row 3 shows the units of voltage;
3. Row 4 is displayed as "OUT OK" when the output status is normal, and it will be displayed as "H Temper" when overtemperature occurs.
4. Each channel is displayed as "CH- OK " when there is no output but in normal status, and the channels will be displayed as "CH- ERRO " when over current occurs.

Page 2: channel output current value, information tips, and module type information

1. Row 2 shows the type of module;
2. Row 3 shows the units of voltage;
3. Row 5 to row 8 show the voltage output value (converted from the process data, not the actual value, may be slightly different from the actual output)

Page 3: Display software version information.

Row 1 displays the slot number (**1**) of the module and the module model name (**BT-4154**).

Row 3 and 4 display the IAP version information for the module (**V1.04**)

Row 6 and 4 display the APP version information for this module (**V1.04**)

BT-4234: 4-channel analog output

/0&4-20mA/15-bit/16-bit/ single ended

1 Module features

- ◆ 0-20mA or 4-20mA, the two output ranges can be set.
- ◆ the module internal bus and field output adopts magnetic insulation.
- ◆ single-terminal grounded together output mode.
- ◆ the module supports the channel open circuit overload warning function to the corresponding channel.
- ◆ the module supports LCD display of basic module information and channel indicator display parameters.

2 Technical parameters

General parameters	
Power	Max.25mA@5.0Vdc
IO bus isolation	I/O to internal bus: magnetic isolation (2.5KVrms)
Field Power	Nominal:24Vdc, Range:22-28Vdc
Wiring	I/O wiring: Max.1mm ² (AWG 18)
Environment Specification	
Operational Temperature	-40~85°C
Operational Humidity	5%-95% RH (No Condensation)
Protection Class	IP20
Output parameters	
Channel Number	4 channels
Resolution Ratio	15Bits/16Bits
Output Range	0~20mA/4~20mA
Output Precision	>0.3%
Diagnostic Function	Disconnection or overload, field power supply error
he common terminal	0V grounded together, channels are not isolated
Switching Rate	2ms/all channels
Load	Max.1KΩ

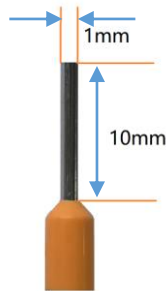
3 Terminal definition

Module wiring adopts 20Pin 3.5mm spacing spring wiring terminals, which are defined as follows:

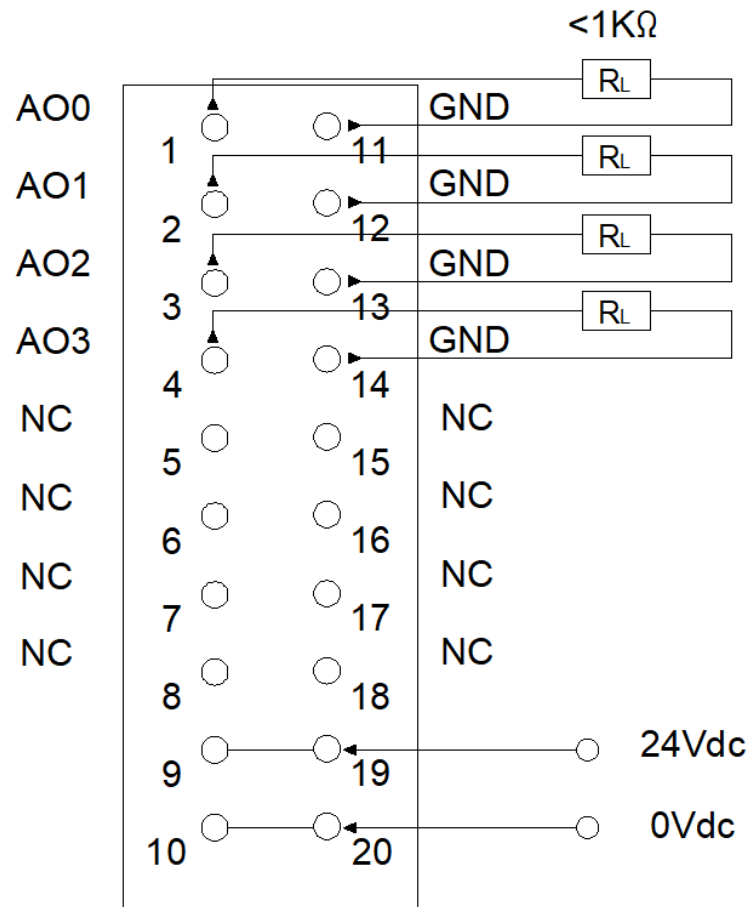
Description	Terminal Number	Symbol	Symbol	Terminal Number	Description
Signal output	1	AO0	GND	11	Signal output
	2	AO1	GND	12	
	3	AO2	GND	13	
	4	AO3	GND	14	
N/A	5	NC	NC	15	N/A
	6	NC	NC	16	
	7	NC	NC	17	
	8	NC	NC	18	
Power	9	24Vdc	24Vdc	19	Power
	10	0Vdc	0Vdc	20	

It is recommended to use cables with cores smaller than 1mm ?

The cold-pressed terminal parameters are as follows:



4 Wiring



Note: Terminals 9 and 19 are internally short-circuited.
Terminals 10 and 20 are internally short-circuited.

5 Progress data definition

Input data								
Bit No	Bit 7	Bit 6	Bit 5	Bit 4	Bit 3	Bit 2	Bit 1	Bit 0
Byte 0	Reserved		Field Power Error (CH0-3)	DAC Communication Error (CH0-3)	Output Opening or Overload (CH3)	Output Opening or Overload (CH2)	Output Opening or Overload (CH1)	Output Opening or Overload (CH0)
Output data								
Bit No	Bit 7	Bit 6	Bit 5	Bit 4	Bit 3	Bit 2	Bit 1	Bit 0
Byte 0	Analog Output Data (CH 0)							
Byte 1								
Byte 2	Analog Output Data (CH 1)							
Byte 3								
Byte 4	Analog Output Data (CH 2)							
Byte 5								
Byte 6	Analog Output Data (CH 3)							
Byte 7								

Data description:

Output Opening or Overload (CH0-3): Current output diagnostic State, when the corresponding Output channel is open circuit or overloaded, this bit is set to 1, and it will be automatically cleared when the load returns to normal.

0: load is normal

1: openload or overload

DAC Communication Error(CH0-3): DAC converter Communication is Error. This Error will occur when the field power supply is disconnected or the DAC and isolator are damaged.

0: DAC communication is normal

1: DAC conversion failed

Field Power Error (CH0-3): This Error will occur when the Field Power is not powered on.

0: field power access is normal

1: field power access is failure

Analog Output Data(CH0-3): Analog Output value, 16-bit unsigned integer.

5.1 Process Data Definition (standard mode)

Analog Output Data (BT-4234)

Current (0-20mA)	Decimal	Hex	Range
21mA	32767	7FFF	Overflow
	29031	7167	
21mA	29030	7166	Exceeds the upper limit
20mA+723.4nA	27649	6C01	
20mA	27648	6C00	Rated range
15mA	20736	5100	
723.4nA	1	1	
0 mA	0	0	
0 mA	-1	FFFF	Underflow
	-32768	8000	

Analog Output Data (BT-4234)

Current (4-20mA)	Decimal	Hex	Range
21mA	32767	7FFF	Overflow
	29377	72C1	
21mA	29376	72C0	Exceeds the upper limit
20mA+578.7nA	27649	6C01	
20 mA	27648	6C00	Rated range
16 mA	19008	4A40	
4mA +578.7nA	1	1	
4mA	0	0	
3.9995mA	-1	FFFF	Exceeds the lower limit
3.6mA	-692	FD4C	
3.6mA	-693	FD4B	Underflow
	-32768	8000	

5.2 Process Data Definition (special mode)

Analog Output Data (BT-4234)			
Current (0-20mA)	Current (4-20mA)	Decimal 16bits	Hex 16bits
20 mA	20 mA	65535	0xFFFF
.	.	.	.
.	.	.	.
.	.	.	.
10 mA	12 mA	32767	0x7FFF
.	.	.	.
.	.	.	.
.	.	.	.
0 mA	4 mA	0	0x0000

6 Configuration parameter definition

Configuration parameter								
Bit No	Bit 7	Bit 6	Bit 5	Bit 4	Bit 3	Bit 2	Bit 1	Bit 0
Byte 0	Reserved						Range_Mode	16Bit Data Format
Byte 1	Reserved				Current Type CH3	Current Type CH2	Current Type CH1	Current Type CH0

Data description:

16Bit Data Format: Analog data storage format. (Default: 0)

0: A-B

1: B-A

Range_Mode: Process data mode (default: standard mode)

Standard mode: same with Siemens process data definition

Special mode: max range of hardware

Current Type(CH0-3): Type of output current. (Default: 1)

0: 0-20mA

1: 4-20mA

7 LCD display interface



Note: The module information display is 3 pages in total, the first number on the first row of each page indicates the slot location of the module, the module model is displayed behind, the first and second pages mainly display channel status, information tips, and module type information, the third page mainly displays software version information.

Page 1: channel status and module type information

1. Row 2 shows the type of module;
2. Row 3 shows the units of voltage;
3. Row 4, its terminal power supply shows **"NO 24Vdc"**, and it indicates that the I/O terminal is connected to 24Vdc power supply. And if **"POWER OK"** is displayed in the terminal power supply, it indicates that the I/O terminal does not have 24Vdc power supply;
4. From row 5 to row 8, the channels show **"CH- ERRO"**, and it indicates that the channel is open circuit, overloaded, or not connected to field power. If **"CH- OK"** is displayed on the channel, and it indicates that the channel is correct.

Page 2: channel output voltage value, information tips, and module type information

1. Row 2 shows the type of module;
2. Row 3 shows the units of voltage;
3. Row 5 to row 8 show the voltage output value (converted from the process data, not

the actual value, may be slightly different from the actual output, the value also will be displayed when the site power is not connected)

Page 3: Display software version information.

Row 1 displays the slot number (**2**) of the module and the module model name (**BT-4234**).

Row 3 and 4 display the IAP version information for the module (**V1.04**)

Row 6 and 4 display the APP version information for this module (**V1.02**)

BT-623F: 8 channels digital input /24VDC/ sink / source, 8 channels digital output/24VDC/ source, 24VDC

1 Module features

◆ the module supports 8-channel digital input, and supports source type and sink type two-way input. The input voltage is 0V/24VDC. The input high level (sink type) is valid and the module it could be connected to PNP sensor while the input low level (source type) is valid, and the module it could be connected to NPN sensor.

◆ the module supports 8-channel digital output, output high level is valid, and the output voltage is 24VDC.

◆ the module input channel can collect digital output signal of field equipment. (dry contact or active output).

◆ the module input channel can be connected to the 2-wire or 3-wire digital sensor.

◆ the module input channel supports 32-bit counter for each channel, the counting frequency < 200Hz.

◆ the input channel of the module can set the digital signal input filtering time and the byte transfer order of the counter.

◆ the input channel of the module can set the counting mode and counting direction independently.

◆ the module output channel can drive field equipment. (relay, solenoid valve, etc.)

◆ the output channel of the module is equipped with short circuit, thermal shutdown and overvoltage protection functions.

◆ the module internal bus and field input and output , using Optocoupler isolation.

- ◆ the module supports LCD display of basic module information and channel indicator display parameters.
- ◆ the module supports the fault output processing function when the application layer is disconnected.
- ◆ DO output overload protection warning function to the corresponding channel.

2 Technical parameters

General Parameters	
Power	Max.45mA@5.0Vdc
Isolation	I/O to internal bus: opto-coupler isolation (3KVrms)
Field Power	Nominal:24Vdc, Range:22-28Vdc
Wiring	I/O wiring: Max.1mm ² (AWG 18)
Weight	14g
Size	74*42*10mm
Environment Specification	
Channel Number	8-channel
Turn on Voltage	High input: Min.10Vdc to Max.28Vdc (Common: 0Vdc) Low input: Min.0Vdc to Max.14Vdc (Common: 24Vdc)
Turn off Voltage	High input: Max.5Vdc (Common: 0Vdc) Low input: Min.19Vdc (Common: 24Vdc)
Open Current	Max.15mA/ channel @28V
Input Impedance	>1.8k Ω
Input Delay	OFF to ON :Max.3ms ON to OFF :Max.2ms
Filtering Time	Default: 10ms
Sampling Frequency	500Hz
Count Frequency	<200Hz
Output Parameters	
Channel Number	8-channel
Rated Current	Typical value: 1.5A
Leakage Current	Max value: 7uA
Output Impedance	<0.2 Ω
Output Delay	OFF to ON :Max 200us ON to OFF :Max 100us
Protection Function	Protection current: typical value 4.7A Temperature protection: typical value 165°C Short circuit protection support

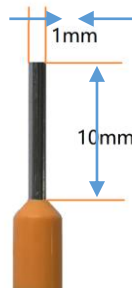
3 Terminal definition

Module wiring adopts 20Pin 3.5mm spacing spring wiring terminals, which are defined as follows:

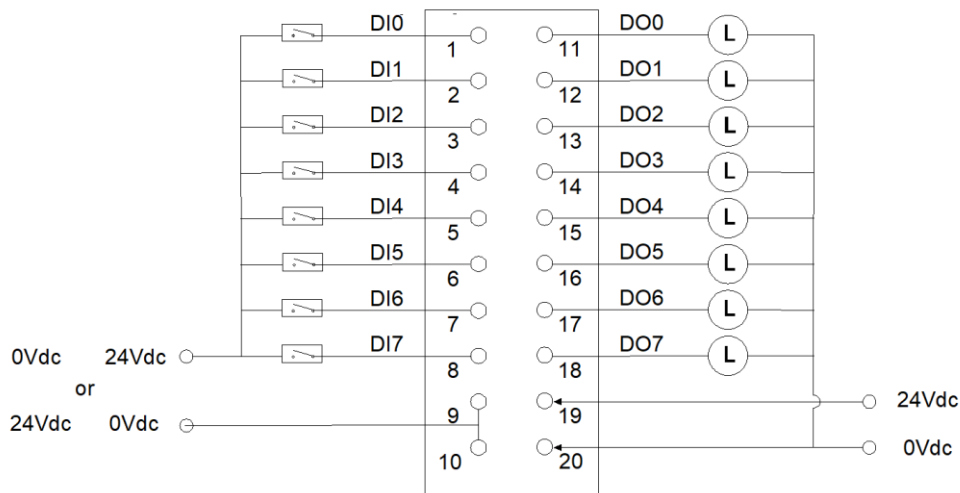
Description	Terminal Number	Symbol	Symbol	Terminal Number	Description
Signal input	1	DI0	DO0	11	Signal output
	2	DI1	DO1	12	
	3	DI2	DO2	13	
	4	DI3	DO3	14	
	5	DI4	DO4	15	
	6	DI5	DO5	16	
	7	DI6	DO6	17	
	8	DI7	DO7	18	
Common terminal	9	24V or 0V	24V	19	Common terminal
	10		0V	20	

It is recommended to use cables with cores smaller than 1mm ?

The cold-pressed terminal parameters are as follows:



4 Wiring



Note: Terminals 9 and 10 are internally short-circuited.

5 Process data definition

<8DI8DO Input Output Status> Submodule process data definition

Input data								
Bit No	Bit 7	Bit 6	Bit 5	Bit 4	Bit 3	Bit 2	Bit 1	Bit 0
Byte 0	DI Ch#7	DI Ch#6	DI Ch#5	DI Ch#4	DI Ch#3	DI Ch#2	DI Ch#1	DI Ch#0
Output data								
Bit No	Bit 7	Bit 6	Bit 5	Bit 4	Bit 3	Bit 2	Bit 1	Bit 0
Byte 0	DO Ch#7	DO Ch#6	DO Ch#5	DO Ch#4	DO Ch#3	DO Ch#2	DO Ch#1	DO Ch#0

<8DI Counter Submodule > Counter submodule process data definition

Input data								
Bit No	Bit 7	Bit 6	Bit 5	Bit 4	Bit 3	Bit 2	Bit 1	Bit 0
Byte 0	Counter Value Ch#0							
Byte 1								
Byte 2								
Byte 3								
Byte 4	Counter Value Ch#1							
Byte 5								
Byte 6								
Byte 7								
Byte 8	Counter Value Ch#2							
Byte 9								

Byte 10								
Byte 11								
Byte 12	Counter Value Ch#3							
Byte 13								
Byte 14								
Byte 15								
Byte 16	Counter Value Ch#4							
Byte 17								
Byte 18								
Byte 19								
Byte 20	Counter Value Ch#5							
Byte 21								
Byte 22								
Byte 23								
Byte 24	Counter Value Ch#6							
Byte 25								
Byte 26								
Byte 27								
Byte 28	Counter Value Ch#7							
Byte 29								
Byte 30								
Byte 31								
Output data								
Bit No	Bit 7	Bit 6	Bit 5	Bit 4	Bit 3	Bit 2	Bit 1	Bit 0
Byte 0	Counter Reset Ch#7	Counter Reset Ch#6	Counter Reset Ch#5	Counter Reset Ch#4	Counter Reset Ch#3	Counter Reset Ch#2	Counter Reset Ch#1	Counter Reset Ch#0

Data description:

DI CH# (0-7): when the corresponding channel input signal is valid, this bit will be set as 1, and it will be set as 0 when the input signal is invalid.

0: the input signal is invalid

1: the input signal is valid

Counter Value Ch#(0-7): 8 channel 32 bit counter, unsigned integer, automatically zeroing after overflow.

DO CH#(0-7): when this bit is set as 1, and the corresponding channel output signal is valid, and this is high level valid.

0: the output signal is invalid

1: the output signal is valid

Counter Reset Ch#(0-7): when the data bit changes from 0 to 1 (rising edge), the input counter of the corresponding channel will be cleared.

Note: the max counting frequency of the input channel is 200Hz. When the input signal exceeds this frequency, the counting result may be inconsistent with the actual value.

6 Configuration parameter definition

<8DI8DO Input Output Status > Submodule configuration parameter definition

Configuration parameter								
Bit No	Bit 7	Bit 6	Bit 5	Bit 4	Bit 3	Bit 2	Bit 1	Bit 0
Byte 0	Input Filtering Time							
Byte 1								
Byte 2	Reserved				Input Holding Time(ms)			
Byte 3	Fault Action for Output Ch#7	Fault Action for Output Ch#6	Fault Action for Output Ch#5	Fault Action for Output Ch#4	Fault Action for Output Ch#3	Fault Action for Output Ch#2	Fault Action for Output Ch#1	Fault Action for Output Ch#0
Byte 4	Fault Value for Output Ch#7	Fault Value for Output Ch#6	Fault Value for Output Ch#5	Fault Value for Output Ch#4	Fault Value for Output Ch#3	Fault Value for Output Ch#2	Fault Value for Output Ch#1	Fault Value for Output Ch#0

Data description:

Input Filtering Time(ms): Channel input filtering time, unit: ms. (Default: 10)

Input Holding Time(ms): Channel input signal holding time, unit: ms. (Default:

0)

0: Disable

1: 200ms

2: 500ms

3: 1000ms

4: 1500ms

5: 2000ms

6: 3000ms

7: 5000ms

Fault Action for Output Ch#(0-7): Fault Output mode. When the IO module detects an internal bus exception and fails to communicate with the COMM board, the module enters offline mode, and the output data will be processed in this way. (default: 0)

0: keep the last time output.

1: output fault value. output configured output value.

Fault Value for Output Ch#(0-7): When the fault output mode is 1, the bit sets the fault output value, which is output when the IO module internal bus is offline. (default: 0)

0: output low level.

1: output high level.

<8DI Counter Submodule> Submodule configuration parameter definition

Configuration parameter								
Bit No	Bit 7	Bit 6	Bit 5	Bit 4	Bit 3	Bit 2	Bit 1	Bit 0
Byte 0	Reserved				Storage Enable	Storage Function	32Bit Data Format	
Byte 1	Count Mode Ch#3		Count Mode Ch#2		Count Mode Ch#1		Count Mode Ch#0	
Byte 2	Count Mode Ch#7		Count Mode Ch#6		Count Mode Ch#5		Count Mode Ch#4	
Byte 3	Count Direction Ch#7	Count Direction Ch#6	Count Direction Ch#5	Count Direction Ch#4	Count Direction Ch#3	Count Direction Ch#2	Count Direction Ch#1	Count Direction Ch#0

Data description:

32Bit Data Format: Byte transmission order of channel count values (default: 0).

0: AB-CD

1: BA-DC

2: CD-AB

3: DC-BA

Storage Function: Storage Function is supported or not, read only attribute, and this value is the actual value of the module when uploading device parameters.

0: storage is not supported

1: storage is supported

Storage Enable: Storage enable, when the Storage Function enables, the IO module will save the count value in real time to non-volatile memory, and load the last saved count value when it is powered on next time. (default: 1)

0: Disabled

1: Enable

Count Mode Ch#(0-7): Input channel count mode. (default: 0)

0: Rising edge count

1: Falling edge count

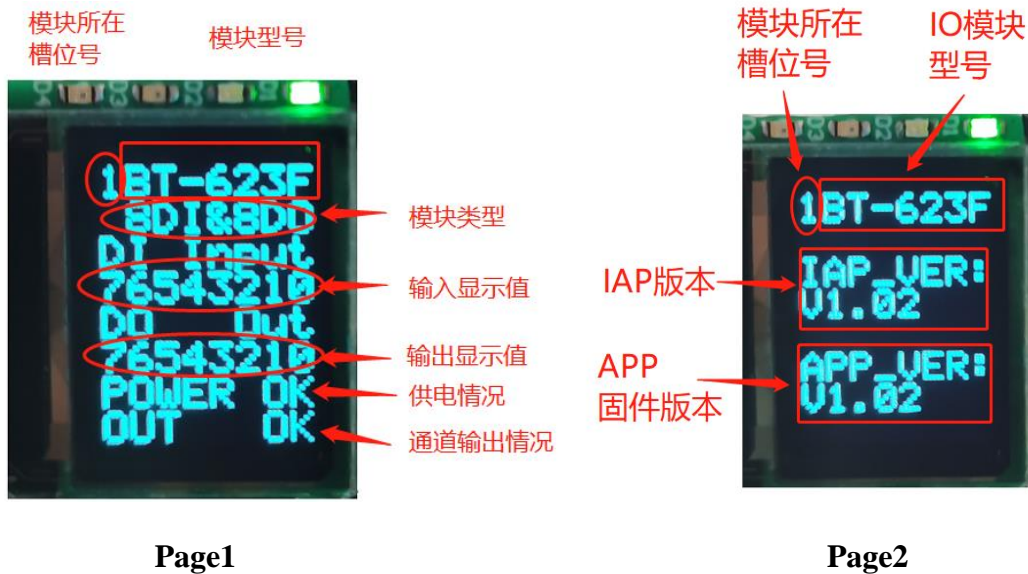
2: Double edge count

Count Direction Ch#(0-7): Counting direction of the input channel. (default: 0)

0: Count up

1: Count down

7 LCD display interface



Note: The module information display is 2 pages in total, the first number on the first row of each page indicates the slot location (1) of the module, the module model is displayed behind (BT623F), the first page mainly displays channel status, information tips, and module type information, the second page mainly displays software version information.

Page 1: channel status and module type information

1. Row 1 shows the the slot location (1) of the module, the module model is displayed behind (BT623F);
2. Row 2 shows the module type 8DI&8DO;
3. From row 3 to row 6, it displays the channel input and output prompts;

8DI: Row 3 and row 4

Row 3 and row 4 show the 8DI input display prompt. If there is a display and it will be corresponding to the indicated channel. And it will be displayed as "-" from right to left when there is no input.

1. For example, if all 8 channels have input, and row 4 shows:

76543210

2. If all 8 channels have no input and it will be displayed as:

3. After the COMM board is connected to the master and then disconnected, the application layer is disconnected, and this row will be displayed as follows:

__fault__

8DO: Row 5 and row 6

Row 5 and row 6 show the 8DO output display prompt. If there is a display and it will be corresponding to the indicated channel. And it will be displayed as "-" from right to left when there is no output.

1. For example, if all 8 channels have output, and row 6 shows:

76543210

2. If all 8 channels have no output and it will be displayed as:

3. After the COMM board is connected to the master and then disconnected, the application layer is disconnected, and after the fault output is performed, this row will be displayed as follows:

__fault__

Row 7 shows the site power supply of the module. If the site power supply is connected to the module and row7 will be displayed as **"POWER OK"**. And if the site power supply is not connected to the module and it will be displayed as **"NO 24Vdc"**.

Row 8 shows the channel output. The normal output is displayed as **"OUT OK"**. If the channel is overloaded or when the output is faulty, the output is displayed as **"H Temper"** and the corresponding channel is displayed as **"^"**. Suppose if the second channel output is overloaded, and it will be displayed as:

765432^0

Page 2: Display software version information.

Row 1 displays the slot number (**1**) of the module and the module model name (**BT-623F**).

Row 3 and 4 display the IAP version information for the module (V1.02)

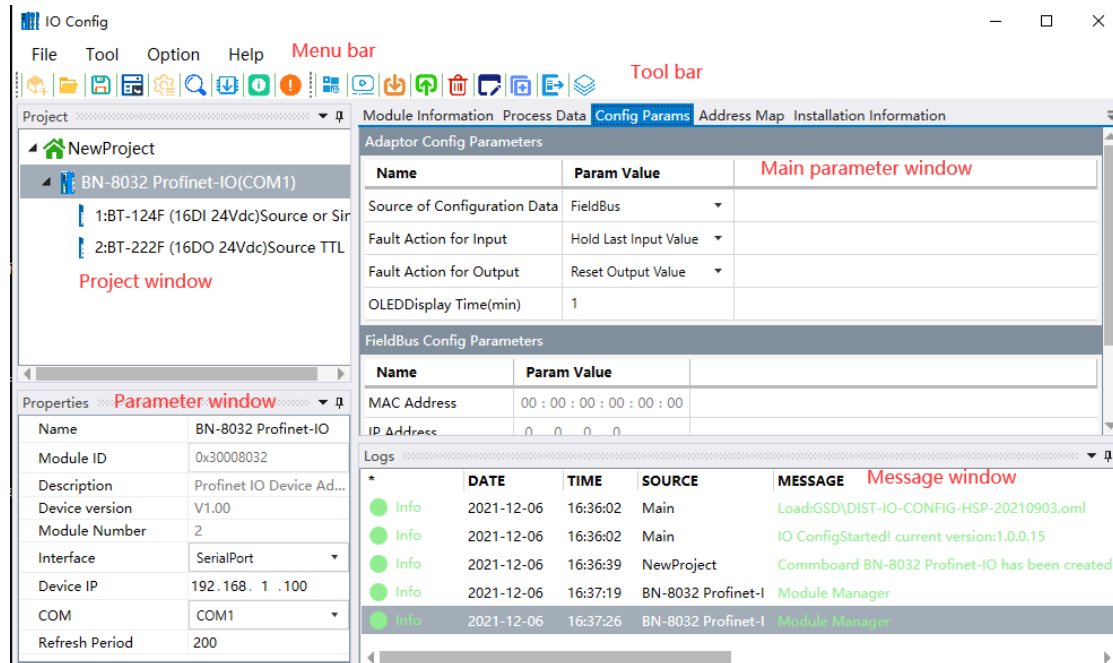
Row 6 and 4 display the APP version information for this module (V1.02)

4 IO-Config configuration software

Note:

1. When uploading, downloading and monitoring modules, all COMM board modules support serial port uploading, downloading and data monitoring. Only MODBUS TCP supports uploading, downloading, and monitoring over both serial ports and network ports. Serial port Type-C USB data cable must have the function of data transmission and power supply, because some mobile phone charging lines only have power supply function, but do not support data transmission, so they cannot be used for uploading and downloading module parameters.
2. For the digital input module (DI), there is the concept of a submodule. Usually the configuration of the DI module only adopts a number of channels digital Bool signal. The sub-module is used to store the input count and clear count of each channel.
3. Shortcut keys: Ctrl+C can copy the I/O module, Ctrl+V can paste the I/O module, Delete can Delete the I/O module, Ctrl+S can save the configuration project, Ctrl+M can export the address table, and F1 can enter the HELP document to view THE I/O technical parameters.

4.1 Software Interface



Menu bar: IOConfig software menu

Tool bar: common user menus

Project window: tree structure displays the currently active projects

Properties: It displays the specific parameters of the current item. COMM board module (module name, module number, module description, device version, number of modules, interface selection, device IP address, serial port number, and online refresh interval), IO module (module name, module number, module description, and number of submodules)

Module information: major windows

Basic information: It could be viewed the module name, module number, hardware version, software version, module description, current consumption, and device manufacturer.

Process data: It can be used to monitor channel data online.

Config Parameters: module configurable parameters.

Address Map: address occupied by the I/O module

Installation Information: it could be viewed module description, current consumption,

module size, residual current, and product picture.

Logs: displays real-time operation information, including operation logs about creating projects, uploading, downloading, and modifying configuration parameters

Tool bar

Menu common shortcut icon









Icon	Name	Menu	Description
	New Project	File-Project-New Project	Create a new project
	Open project	File-Project-Open Project	Open the saved project files
	Save ALL	File - Project - Save ALL	Save current project
	Save As	File - Project - Save As	Save the current project as the new project
	Config	Option- Config	Configure the software language, software interface color, and device library description file path
	Search Device	Tool-Search Device	A new pop-up window, used for MODBUS communication search devices
	Device Update	Tool-Device Update	A new pop-up window, used for COMM board and IO modul firmware upgrade
	About	Help-About	It could be viewed ODOT company infos and the configured software version
	Help Document	Help-Help Document	A new pop-up window, it could check IOConfig user manual
	Hardware manual	Help-hardware manual	A new pop-up window, it could check all IO module hardware manual.
	About Exceptions	Help-About Exceptions	A new pop-up window, warning of abnormal Exi. WIN7 sp1/XP system and below version please install Microsoft patch.

COMM board common shortcut icon



Icon	Name	Menu	Description
	Module Manager	COMM board- Module Manager	Add the IO module manager
	Online	COMM board -Online	COMM board and IO module online monitoring.
	Download Params	COMM board- Download IO Params	Download all params of the modules

	Upload Params	COMM board- Upload IO Params	Upload all params of the modules
	Delete	COMM board - Delete	Delete the current COMM board module
	Rename	COMM board - Rename	Rename the COMM board module
	Copy	COMM board - Copy	Copy the COMM board and extended IO module
	Export Map	COMM board - Export address map	Export the address mapping of COMM board module and extended IO module
	Export Document	COMM board – Export the document	Export all information about COMM board modules and I/O modules, including the address table, module parameters, size diagram, and module list.

4.2 Configured software using

4.2.1 Function brief introduction

Model selection

View the hardware manuals of the COMM board module (BN modules) and IO module (BT modules)

Create new project, save project, and open the original project.

Adding the BN&BT module and view the module parameters.

Modify BN&BT module parameters.

Address mapping table, data address of BT modules.

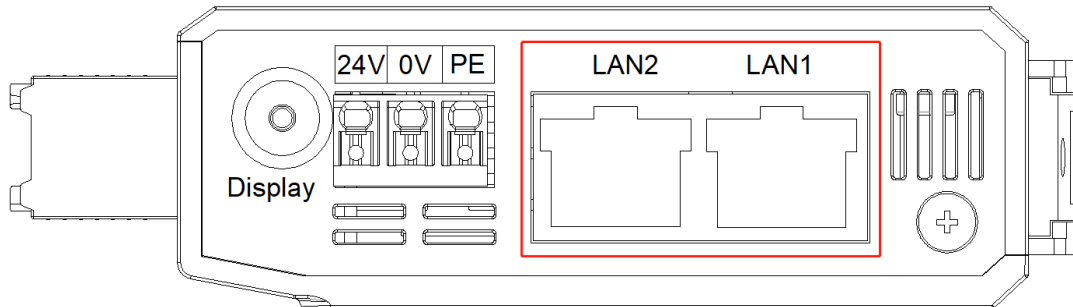
BT modules online test.

Data export, BN&BT address table, engineering documentation.

Firmware upgrading.

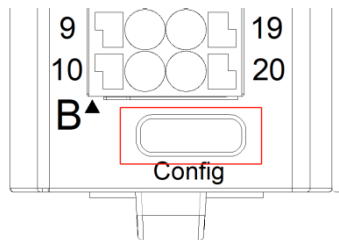
4.2.2 COMM interface

RJ45 Port



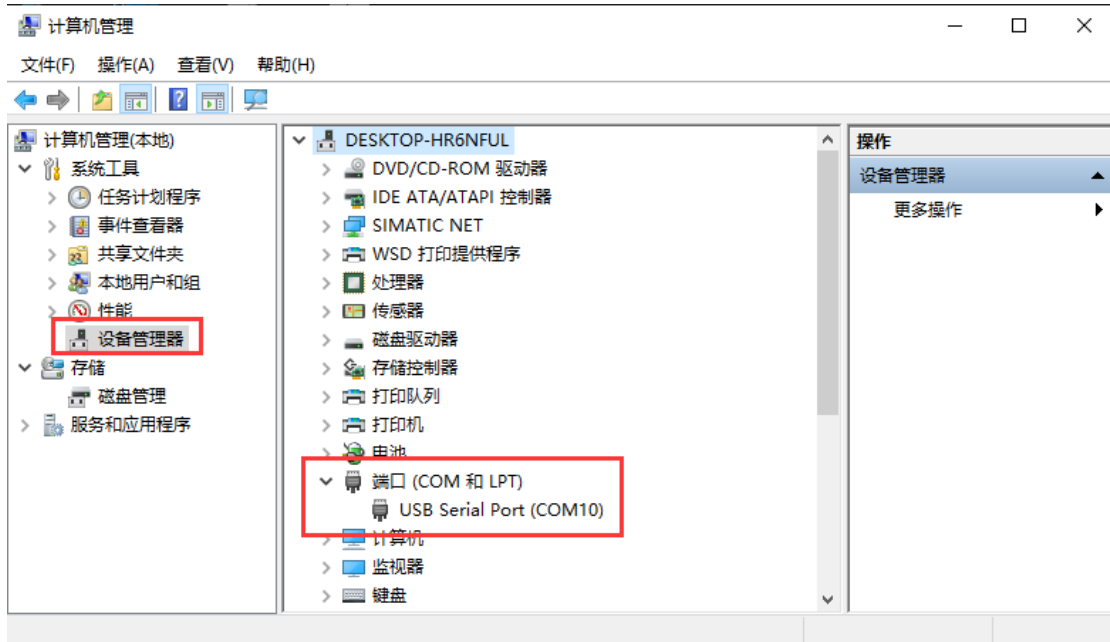
Only when the COMM board module is BN-8031, it can use the RJ45 port for communication: search for BN-8031, modify BN&BT module parameters, test BT module data online, and upgrade firmware.

Serial Port



When using serial port for communication, the serial port Type-C USB cable must support for transmitting data and power supply. Some mobile phone charging cables only have power supply function, but do not support data transmission, so they cannot be used for uploading and downloading module parameters.

After the type-C USB cable is connected to the computer and COMM board, and the computer will automatically install the driver. After the driver is installed, the serial port number will pop up in the device manager of the computer.

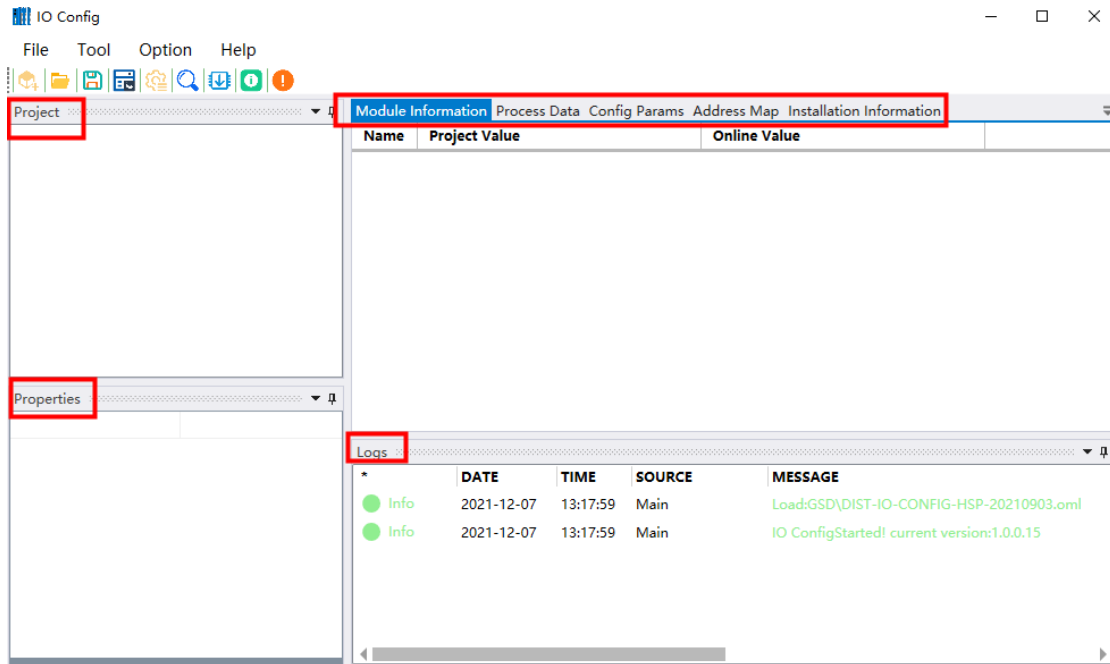


4.2.3 Module selection

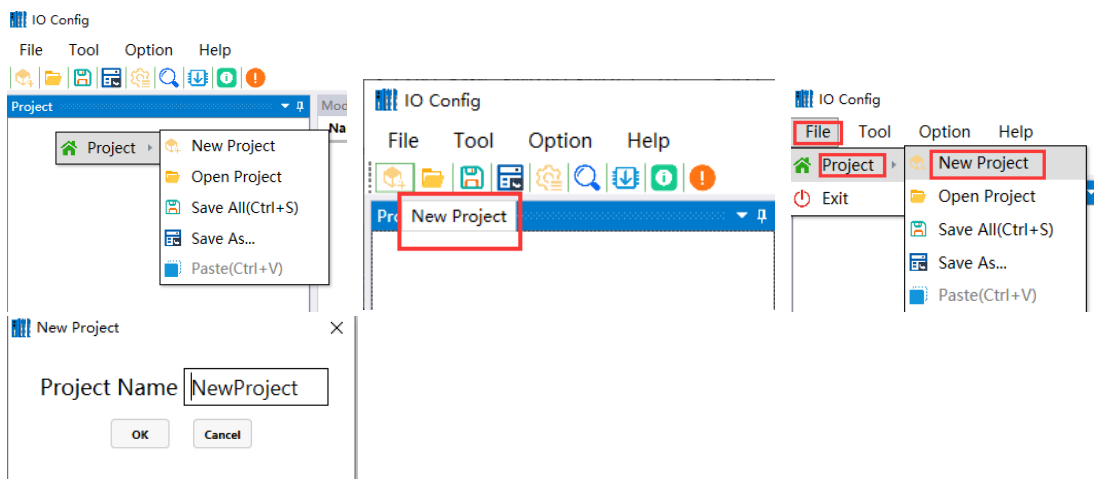
Before module selection, it can press F1 shortcut key to open IO hardware manual and view information of all modules, which is convenient for module selection and users to have a more comprehensive understanding of module information.

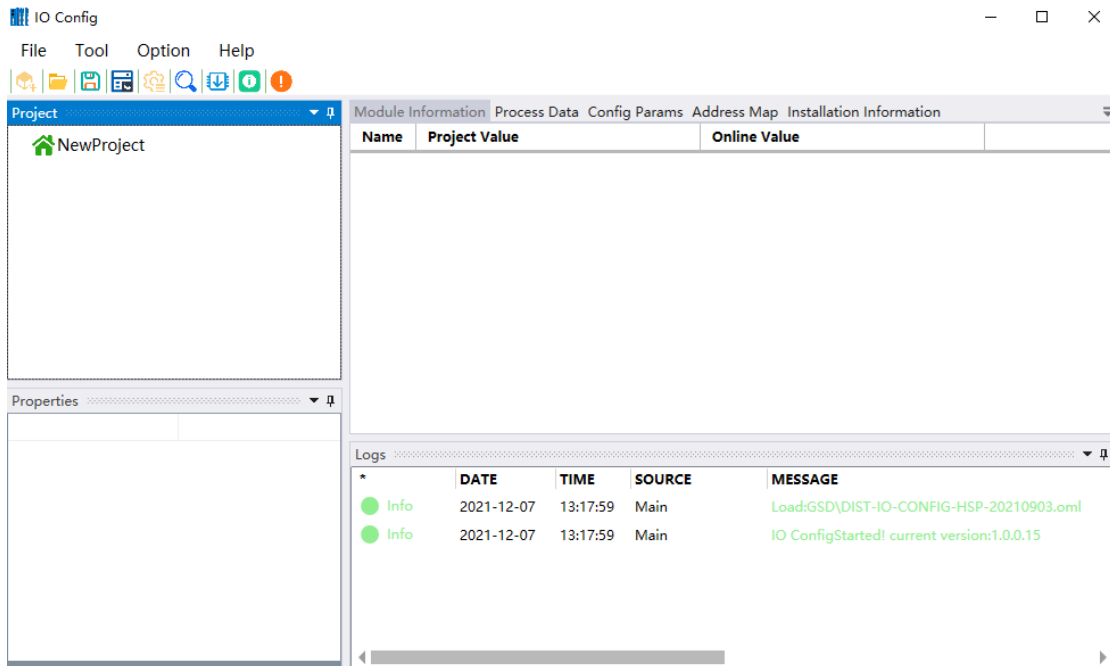
The customer uses the IOConfig software to select modules to determine whether additional power modules are required for the I/O module. It could also determine whether to add a power module based on the internal bus power supply current of the COMM board module and the power consumption of the I/O module. And it could Export BN&BT module files for purchasing, drawing and so on.

Double-click the IOConfig shortcut icon to display the initial software configuration page.

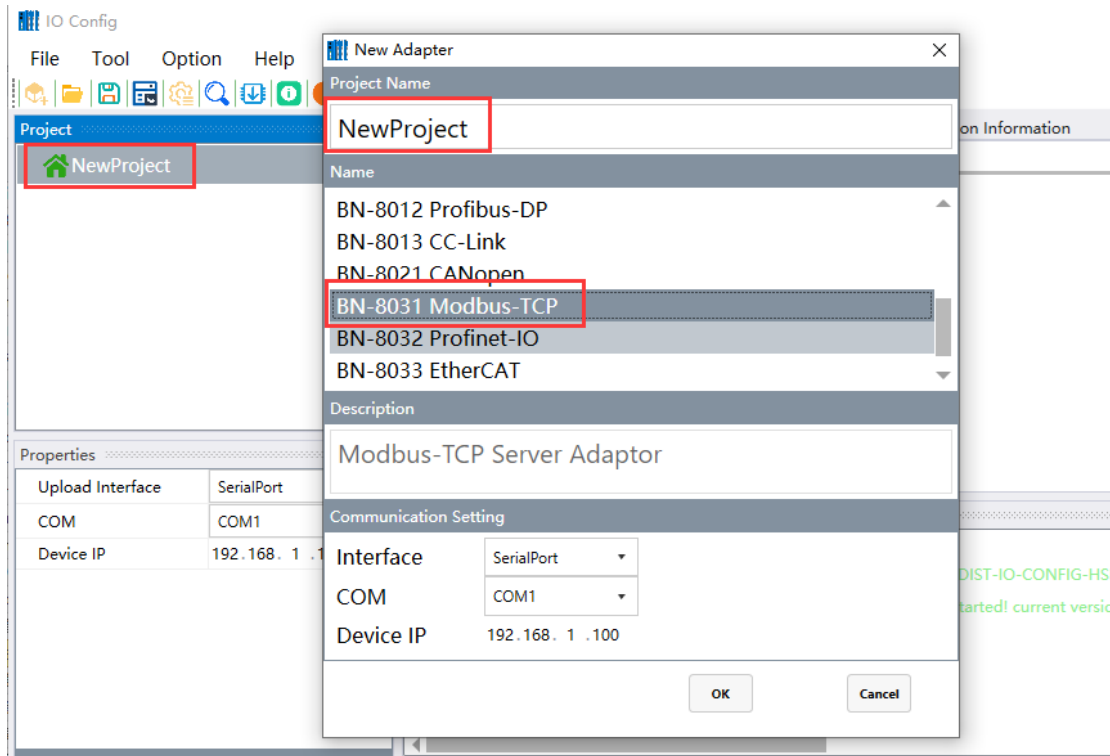


Create a project, click in the project directory bar, right - Project - New Project or click shortcut key or menu bar File - Project - New Project, manually enter the project name.

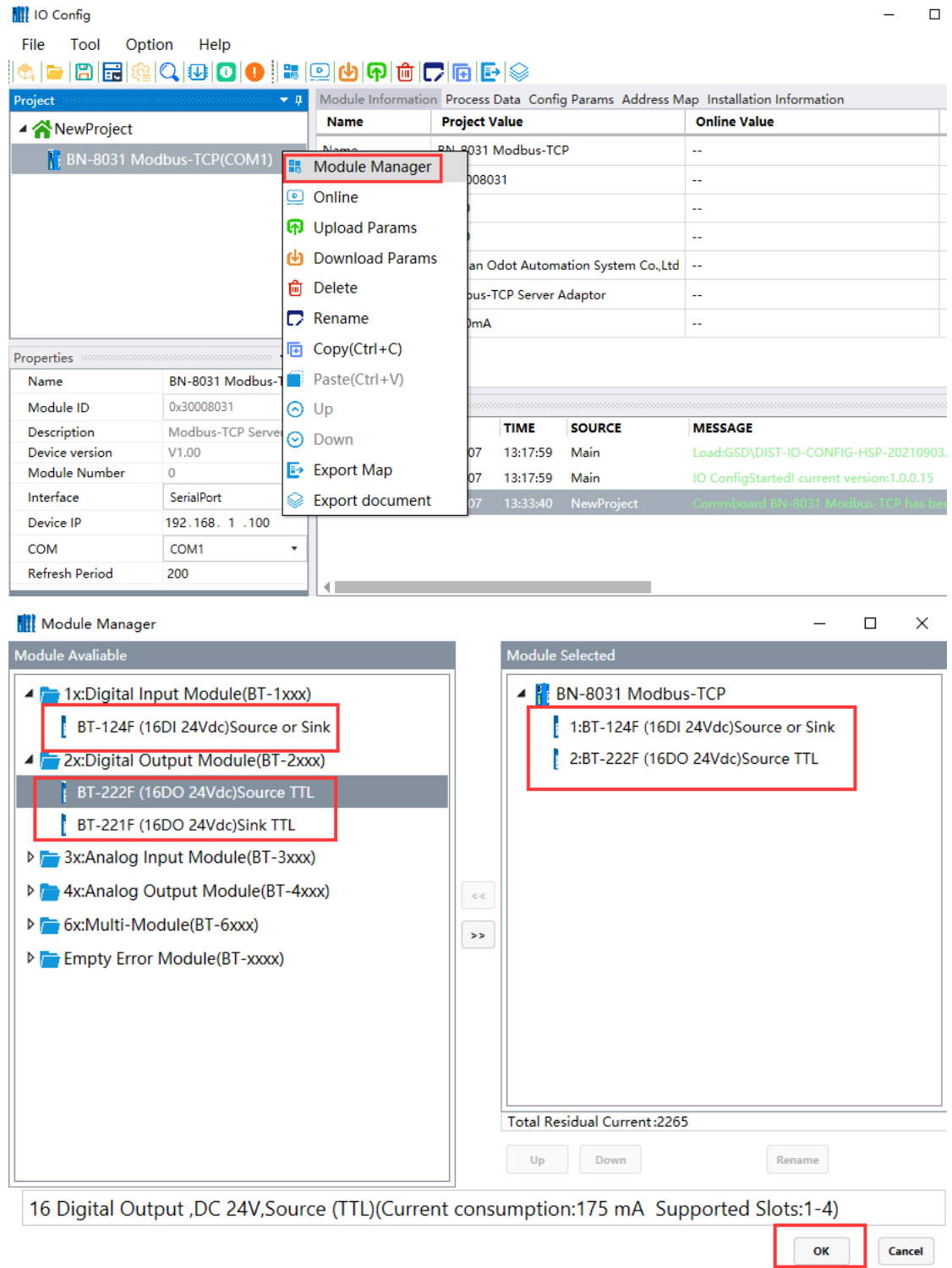




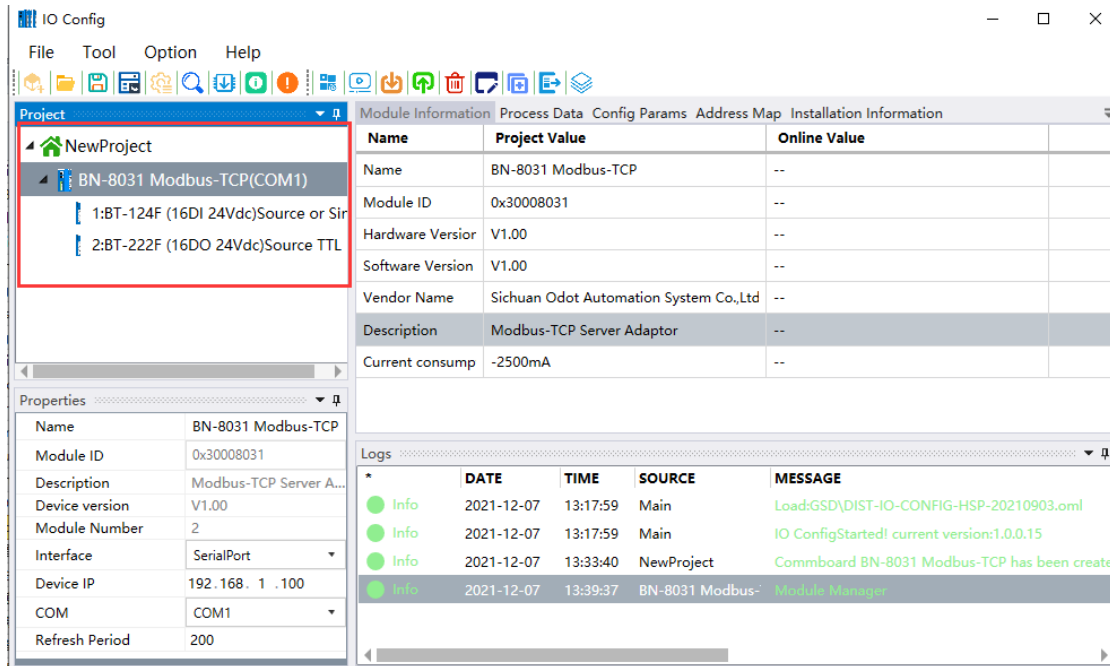
Right-click project - New adapter in the project directory bar, select BN-8031 in the popup interface, select serial port for the interface, select serial port number COM1, and click OK.



Select BN-8031 COMM board in the project bar, right-click BN-8031, click Module Manager, in the pop-up dialog box, and select the IO module. Click OK.



After adding the I/O modules and it could click OK to automatically generate I/O modules in the project bar.



4.2.4 View and modify BN&BT configuration parameters

It could create a new project and add different COMM board and IO modules. And it could Config Params to view the default parameters of the BN&BT modules.

The modification parameters of COMM board for Modbus TCP, Modbus RTU, CANopen and Ethernet/IP, it must use the IOConfig software.

The modification parameters of Profinet, EtherCAT and Profibus DP COMM board can be directly set on the third-party configuration interface without using IOConfig software.

IO module configuration parameters can be modified in the IOConfig software. After modifying IO module parameters, right-click the COMM board module to download the configuration.

Modbus TCP (BN-8031) Config Params Interface:

Adaptor Config Parameters

Name	Param Value
Source of Configuration Data	Configuration Software
Fault Action for Input	Hold Last Input Value
Fault Action for Output	Hold Last Output Value
Port Mirroring	Disable
Sniffer Port	LAN1
Linkdown Detection	Enable
Modbus Disconnected Detection	Enable

Logs

	DATE	TIME	SOURCE	MESSAGE
Info	2021-12-07	13:17:59	Main	Load:GSD\DIST-IO-CONFIG-HSP-
Info	2021-12-07	13:17:59	Main	IO ConfigStarted! current version
Info	2021-12-07	13:33:40	NewProject	Commboard BN-8031 Modbus-T
Info	2021-12-07	13:39:37	BN-8031 Modbus-	Module Manager

BT-124F Config Params

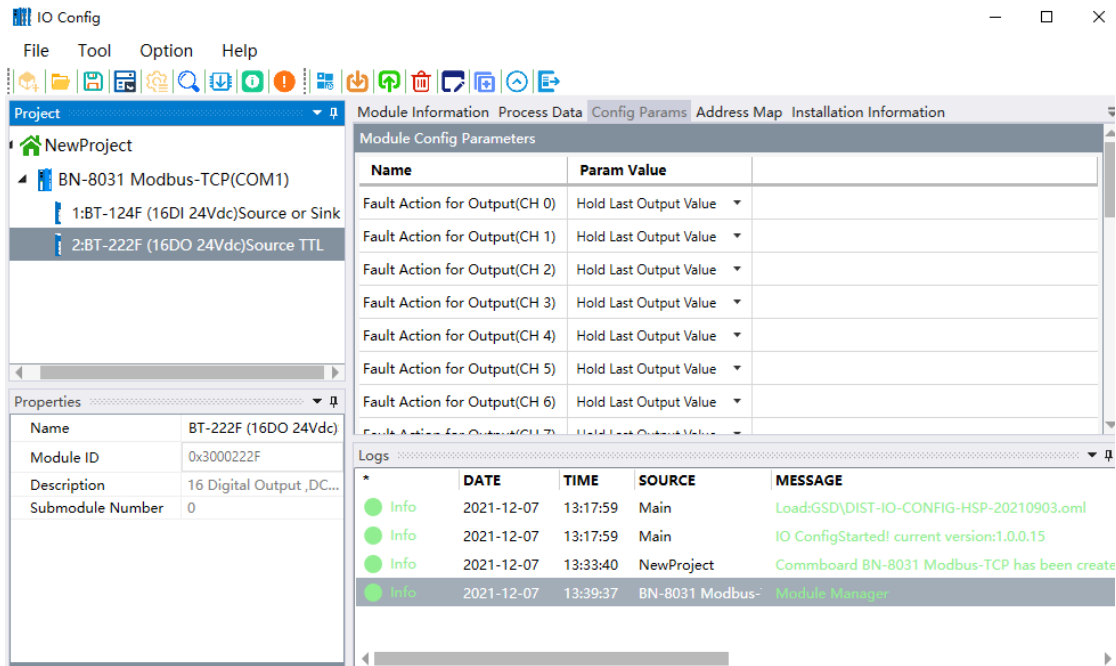
Module Config Parameters

Name	Param Value
Input Filtering Time(ms)	10
Input Holding Time(ms)	Disable

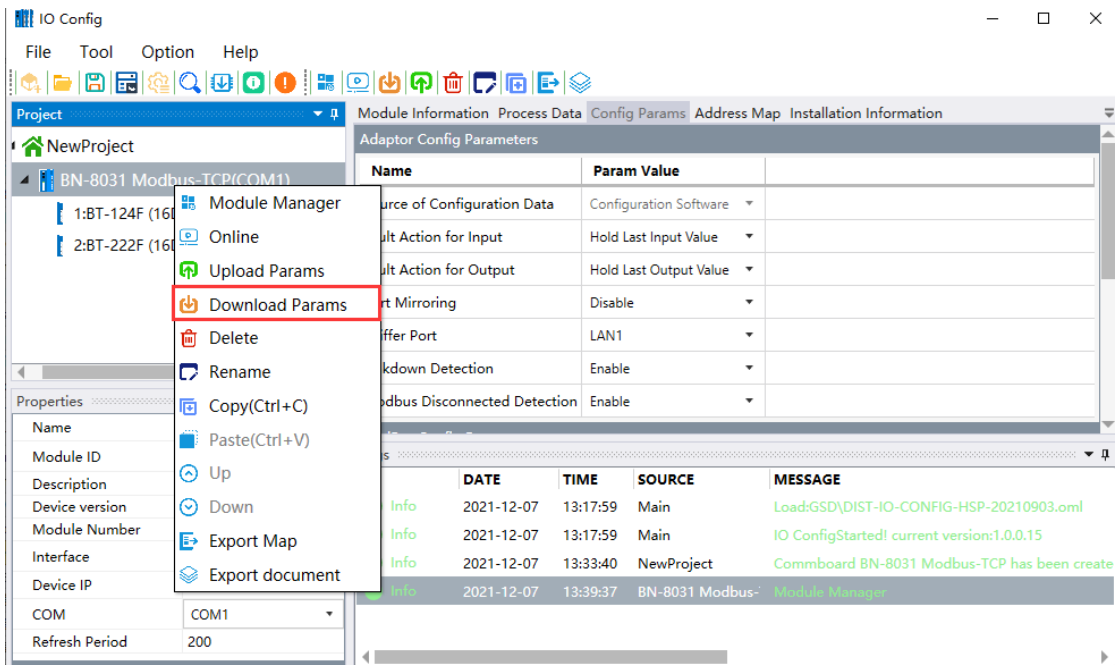
Logs

	DATE	TIME	SOURCE	MESSAGE
Info	2021-12-07	13:17:59	Main	Load:GSD\DIST-IO-CONFIG-HSP-20210903.oml
Info	2021-12-07	13:17:59	Main	IO ConfigStarted! current version:1.0.0.15
Info	2021-12-07	13:33:40	NewProject	Commboard BN-8031 Modbus-TCP has been create
Info	2021-12-07	13:39:37	BN-8031 Modbus-	Module Manager

BT-222F Config Params



After parameter modification, it could right-click COMM board module - download Params in the project directory bar. It could modify the configuration parameters of the COMM board and IO module.



After all parameters are modified, it needs to select the COMM board module and use Ctrl+S to save the configuration project file.